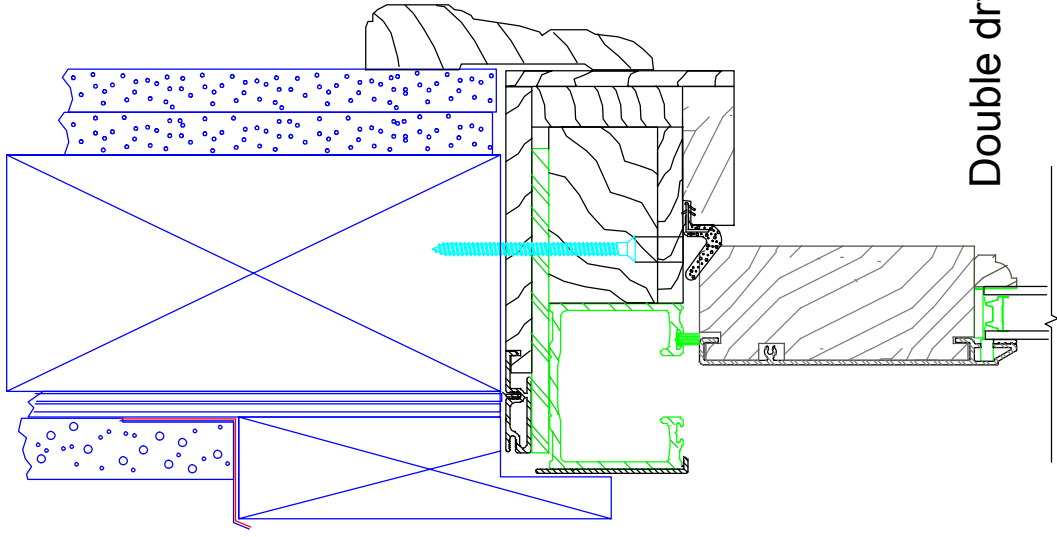


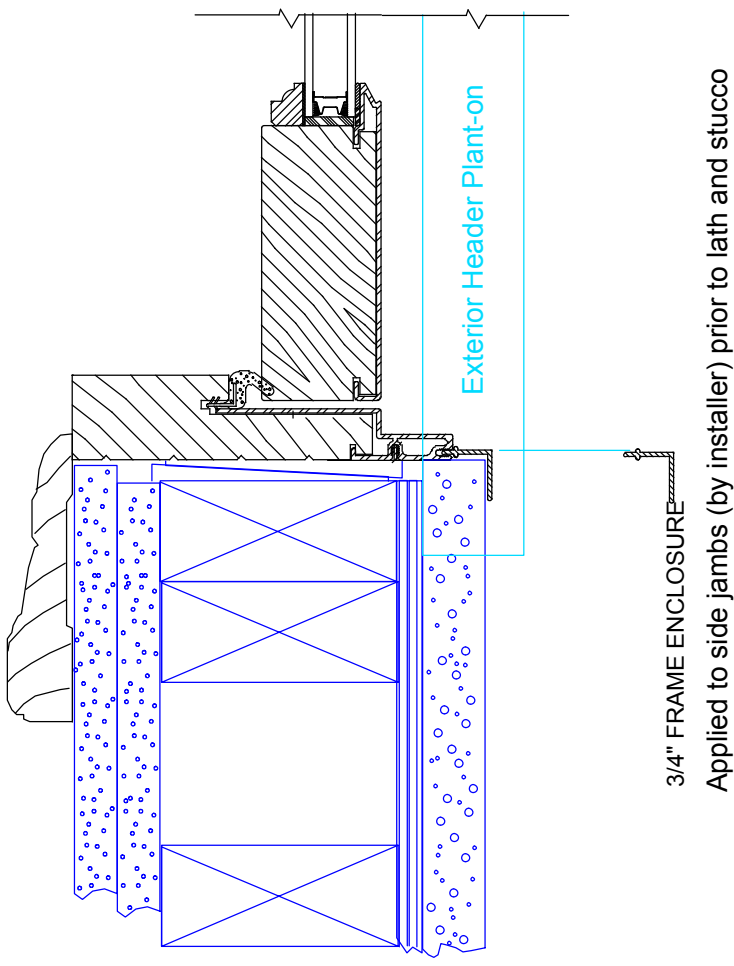


PBS / Eagle Detail: V.P. Eagle Bi-fold Application 'Suggestion'

1 BI-FOLD OUT-SWING HEADER VERTICAL SECTION



2 BI-FOLD OUT-SWING SIDE JAMB HORIZONTAL SECTION



3/4" FRAME ENCLOSURE
Applied to side jambs (by installer) prior to lath and stucco

Double drywall on bi-fold wall allows ratchet for exterior plant-on / alignment.