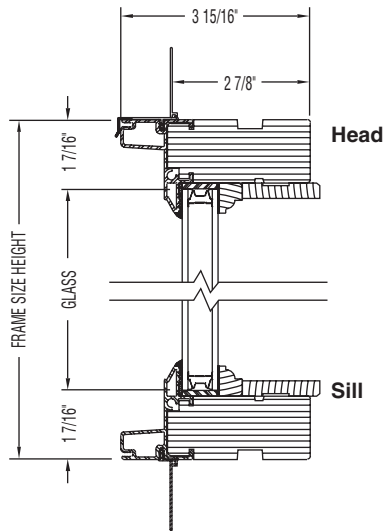


# Clad Ascent™ Door Transoms

## Section Details

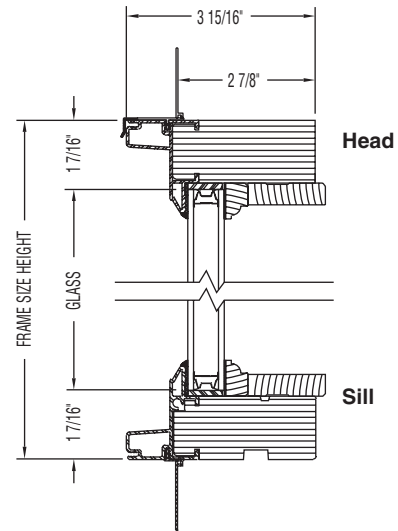
Scale: 3" = 1' 0"

### Direct Set Auxiliary Rectangular Transoms

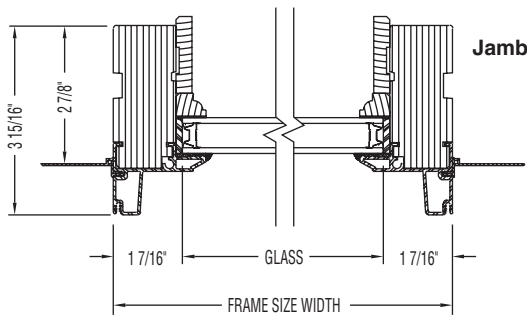


Vertical Section

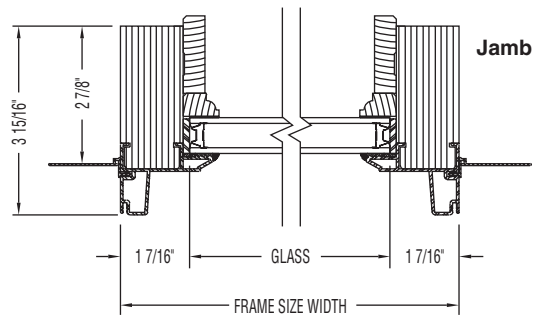
### Direct Set Auxiliary Elliptical and Half Circle Transoms



Vertical Section



Horizontal Section



Horizontal Section

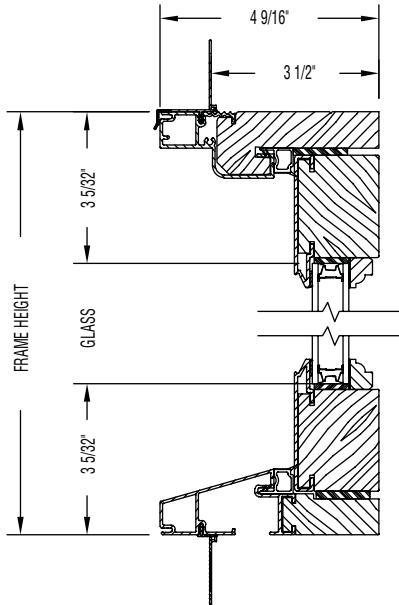
# Clad Ascent™ Door Transoms

## Section Details

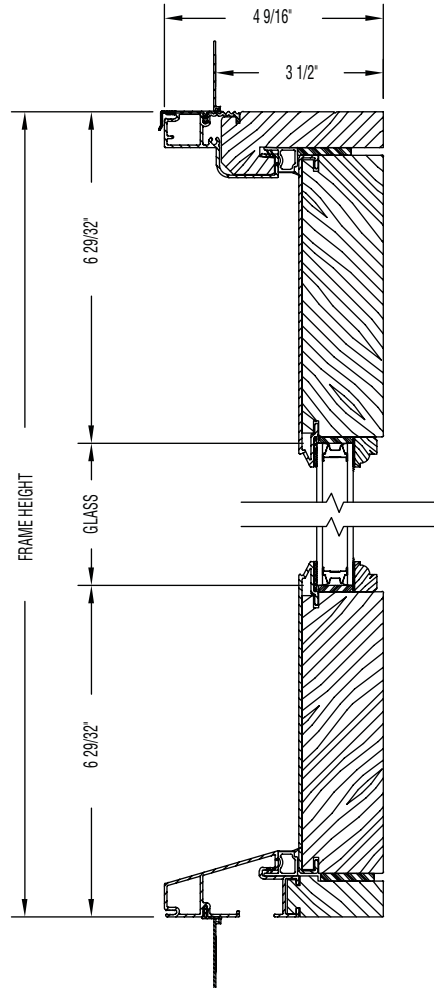
Scale: 3" = 1' 0"

### Inswing French Door Transom — 3 1/2" Wall Vertical Sections

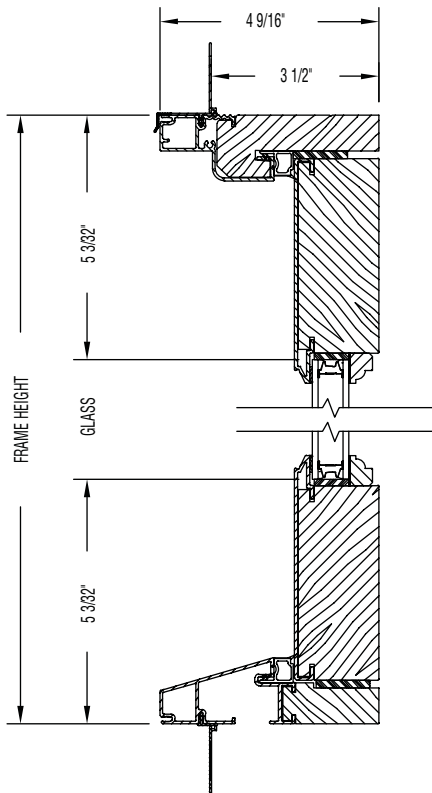
3 1/2" Wall — 2 3/4" Rails ST1/ST2/CT1



3 1/2" Wall — 6 1/2" Rails CT3/CT4



3 1/2" Wall — 4 11/16" Rails ST3/ST4



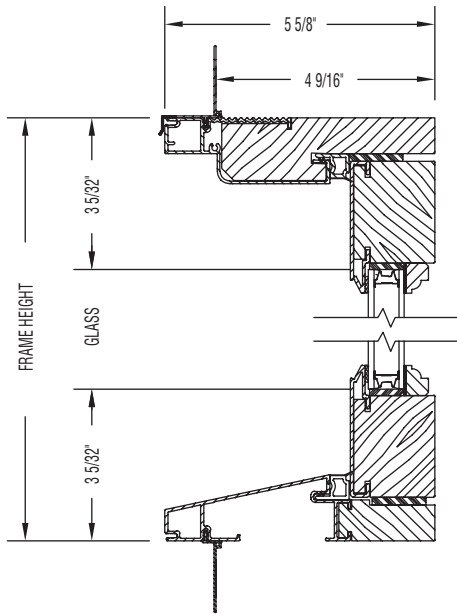
# Clad Ascent™ Door Transoms

## Section Details

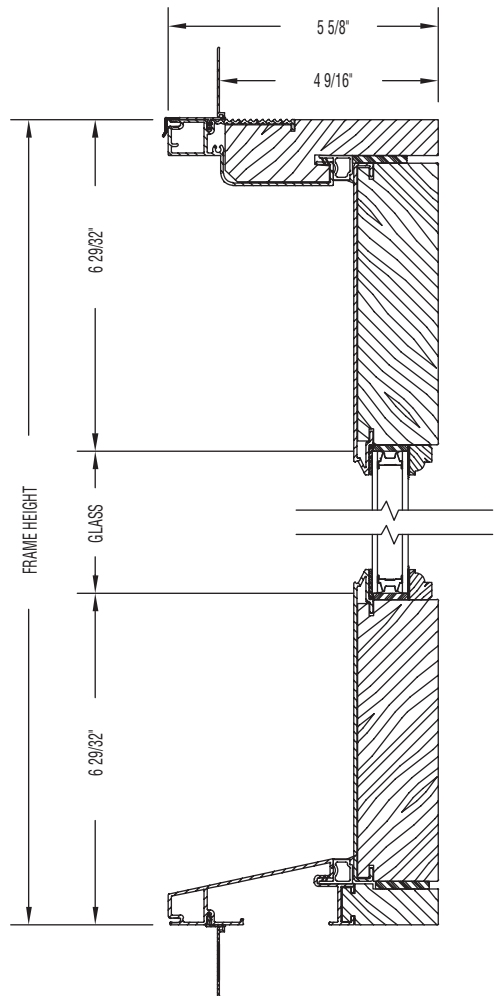
Scale: 3" = 1' 0"

### Inswing French Door Transom — 4 9/16" Wall Vertical Sections

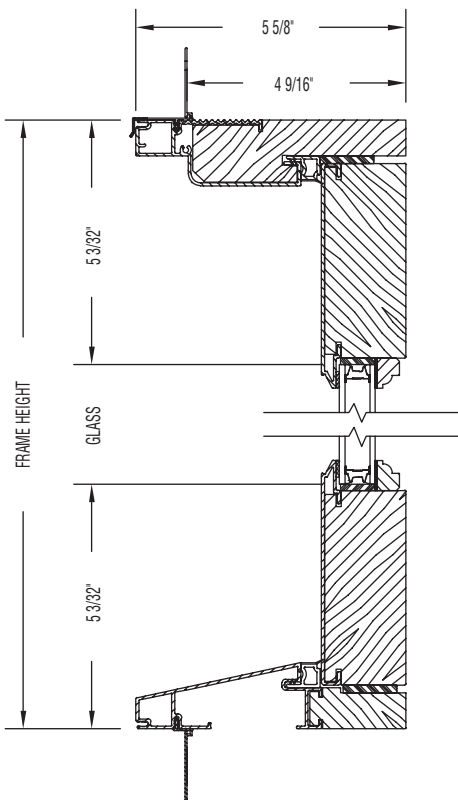
4 9/16" Wall — 2 3/4" Rails ST1/ST2/CT1



4 9/16" Wall — 6 1/2" Rails CT3/CT4



4 9/16" Wall — 4 11/16" Rails ST3/ST4



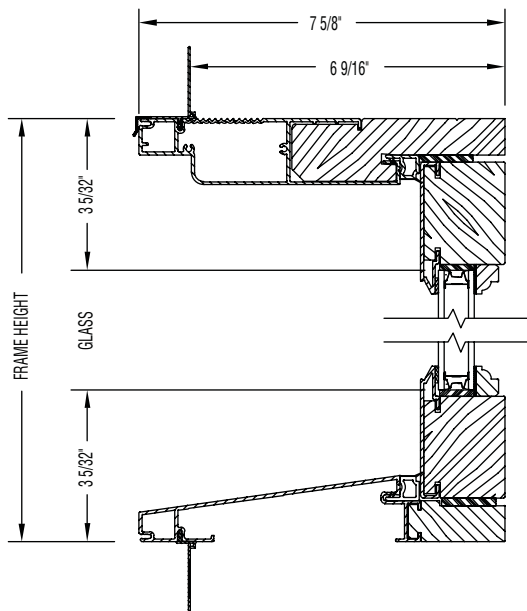
# Clad Ascent™ Door Transoms

## Section Details

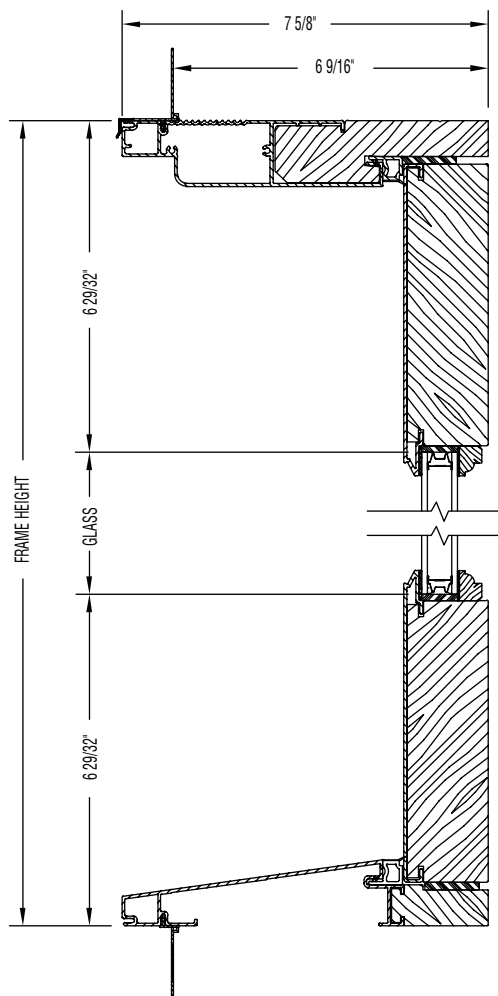
Scale: 3" = 1' 0"

### Inswing French Door Transom — 6 9/16" Wall Vertical Sections

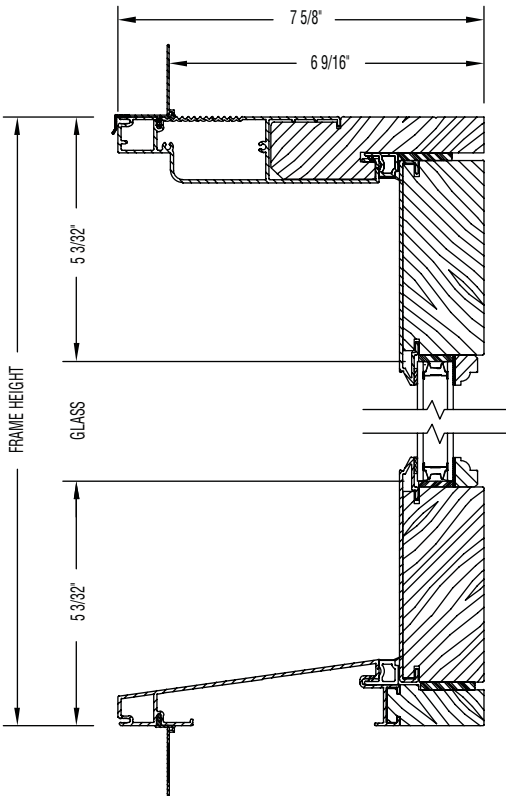
6 9/16" Wall — 2 3/4" Rails ST1/ST2/CT1



6 9/16" Wall — 6 1/2" Rails CT3/CT4



6 9/16" Wall — 4 11/16" Rails ST3/ST4



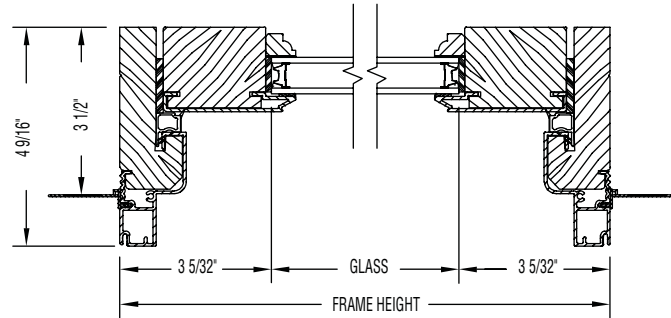
# Clad Ascent™ Door Transoms

## Section Details

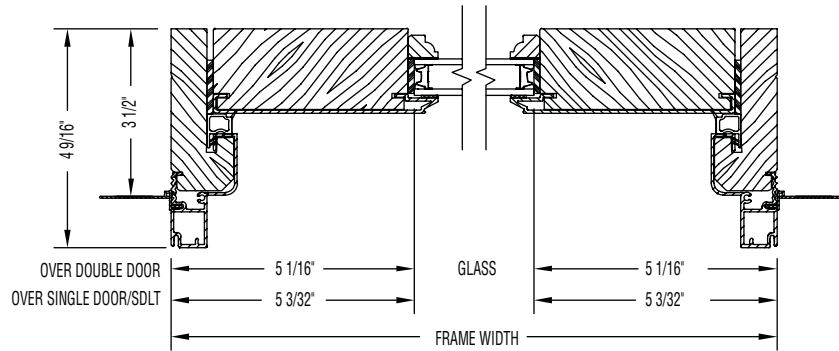
Scale: 3" = 1' 0"

### Inswing French Door Transom — 3 1/2" & 4 9/16" Wall Horizontal Sections

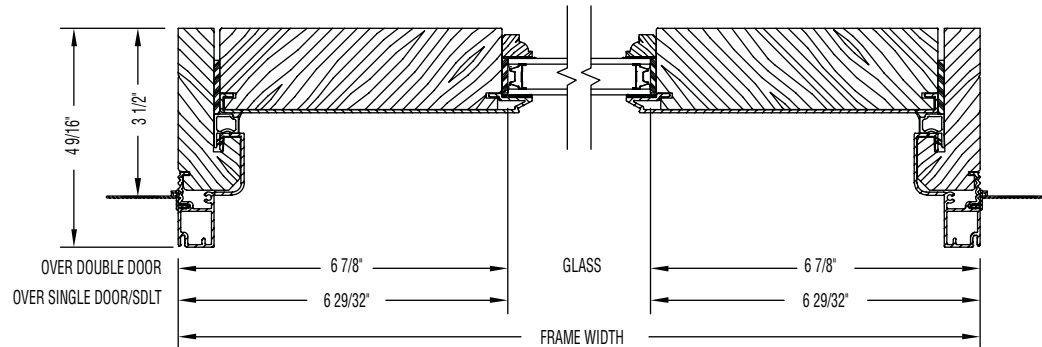
#### 3 1/2" Wall — 2 3/4" Stiles — ST2/ST4/CT4



#### 3 1/2" Wall — 4 11/16" Stiles — ST1/ST3



#### 3 1/2" Wall — 6 1/2" Stiles — CT1/CT3



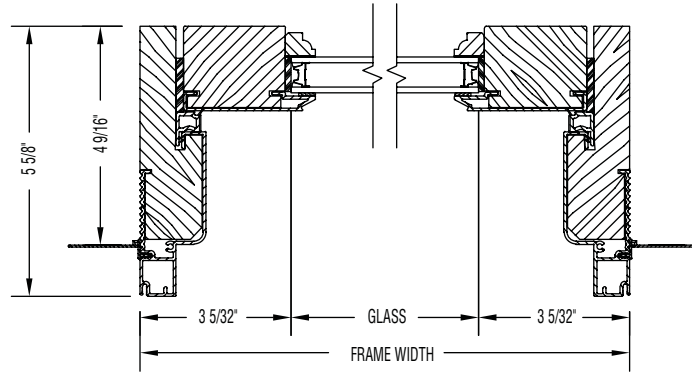
# Clad Ascent™ Door Transoms

## Section Details

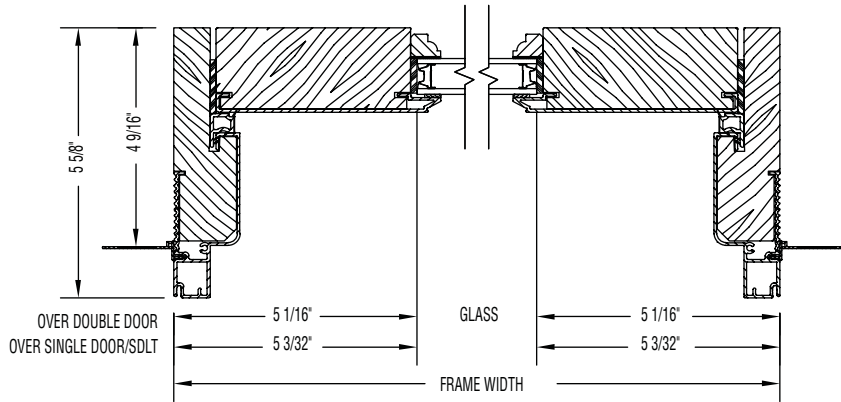
Scale: 3" = 1' 0"

### Inswing French Door Transom — 4 9/16" Wall Horizontal Sections

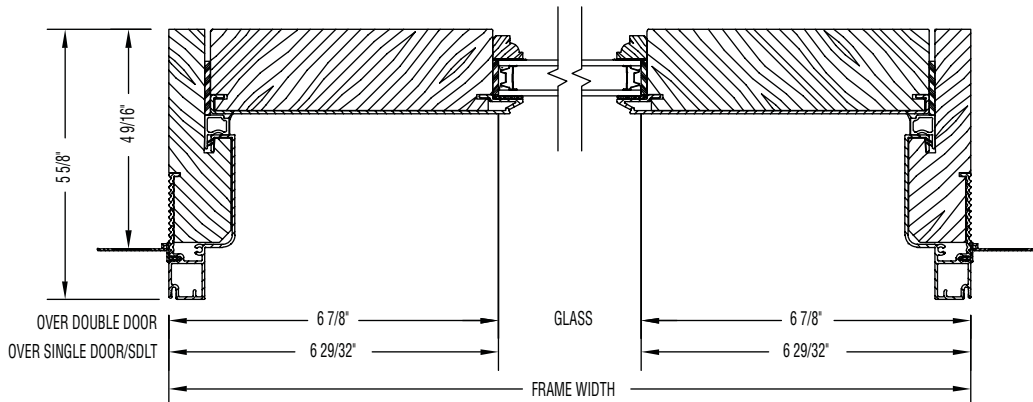
#### 4 9/16" Wall — 2 3/4" Stiles — ST2/ST4/CT4



#### 4 9/16" Wall — 4 11/16" Stiles — ST1/ST3



#### 4 9/16" Wall — 6 1/2" Stiles — CT1/CT3



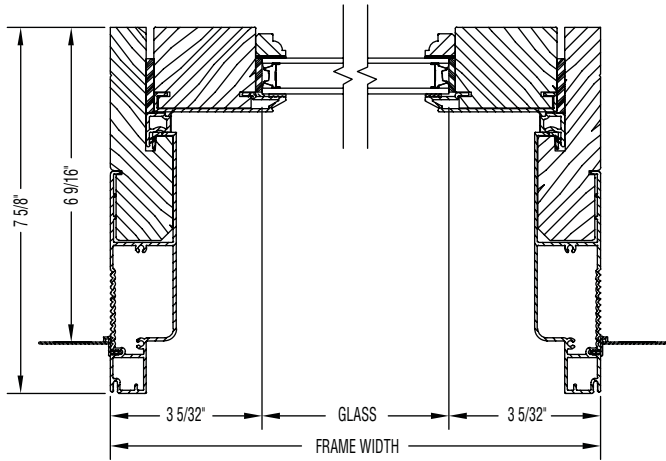
# Clad Ascent™ Door Transoms

## Section Details

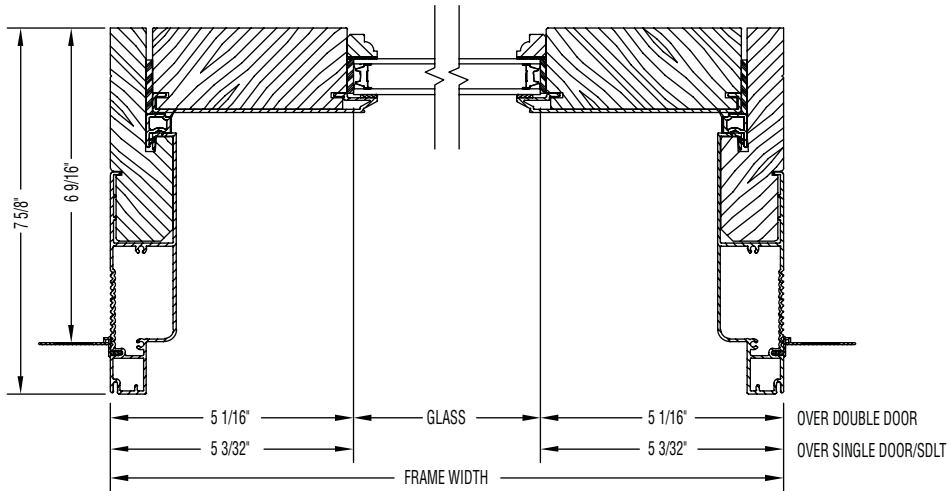
Scale: 3" = 1' 0"

### Inswing French Door Transom — 6 9/16" Wall Horizontal Sections

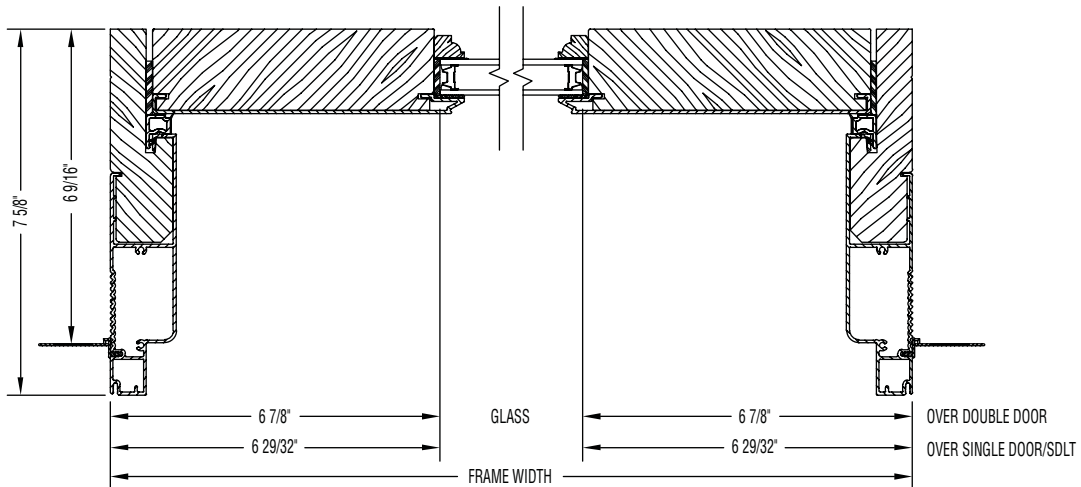
6 9/16" Wall — 2 3/4" Stiles — ST2/ST4/CT4



6 9/16" Wall — 4 11/16" Stiles — ST1/ST3



6 9/16" Wall — 6 1/2" Stiles — CT1/CT3

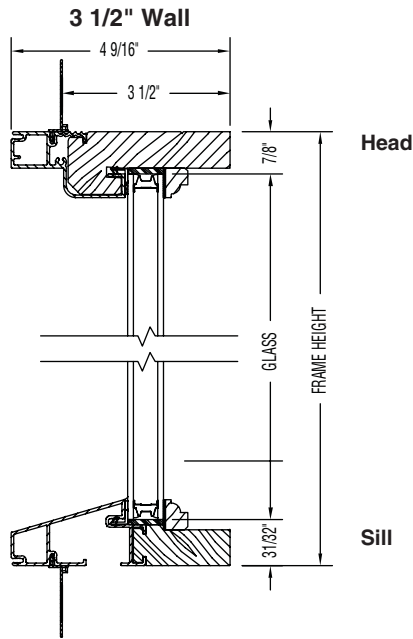


# Clad Ascent™ Door Transoms

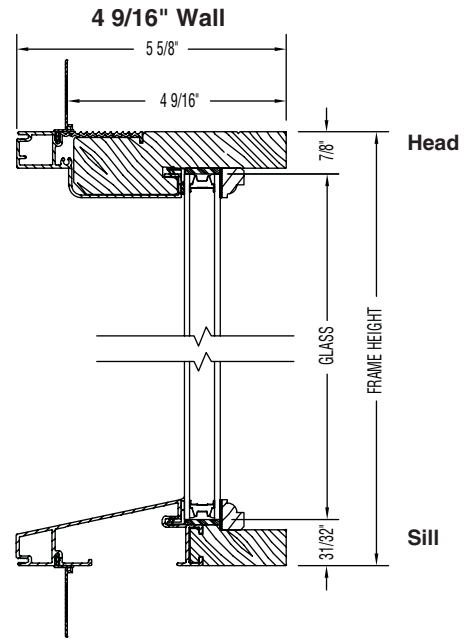
## Section Details

Scale: 3" = 1' 0"

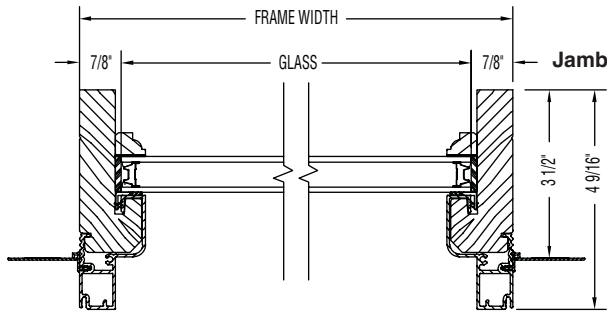
### Direct Glazed Transoms



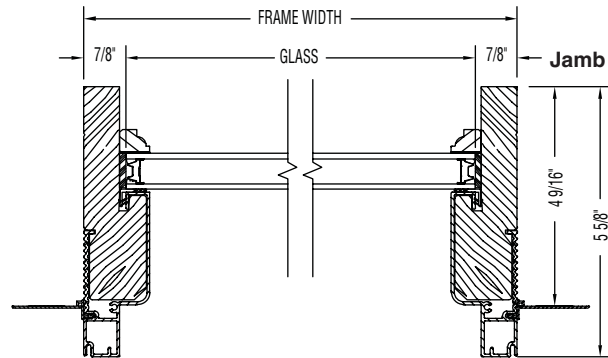
Vertical Section



Vertical Section



Horizontal Section



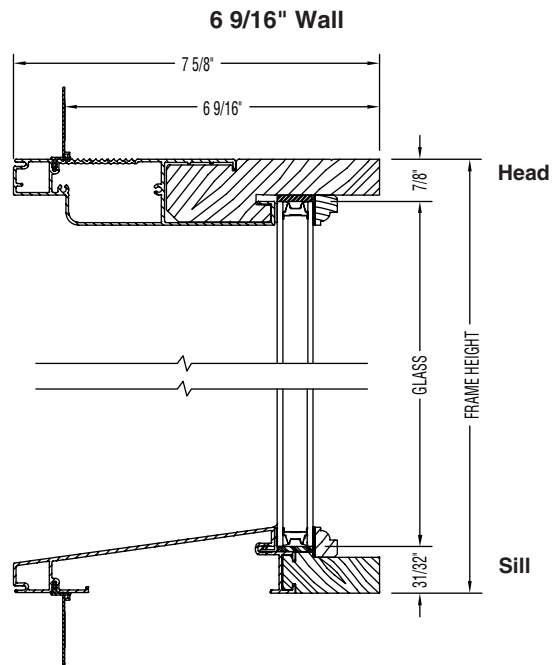
Horizontal Section

# Clad Ascent™ Door Transoms

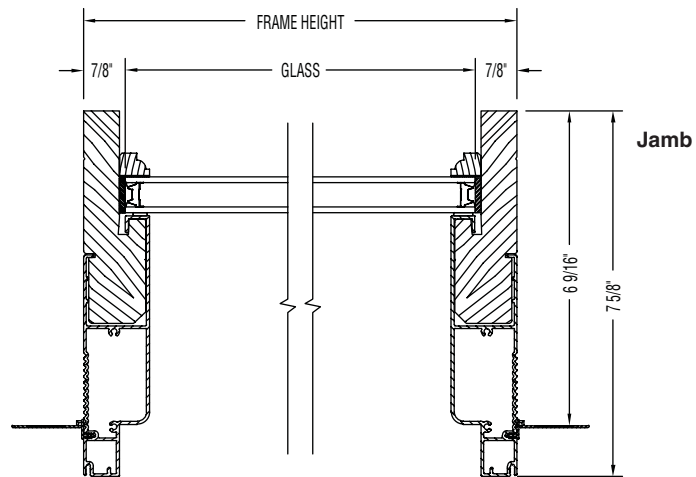
## Section Details

Scale: 3" = 1' 0"

### Direct Glazed Transom



Vertical Section



Horizontal Section