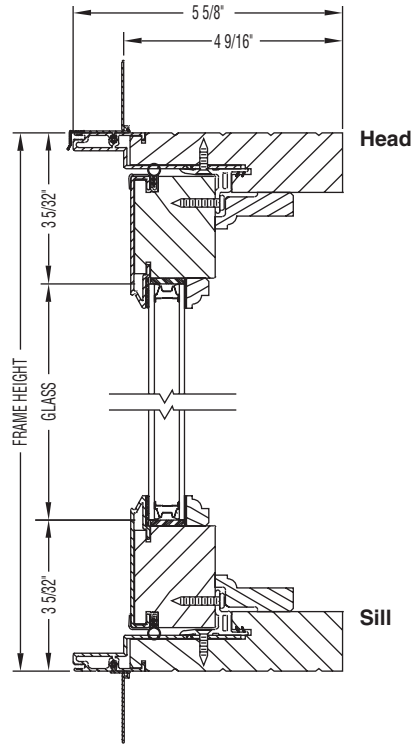


Clad Ascent™ Door Transoms

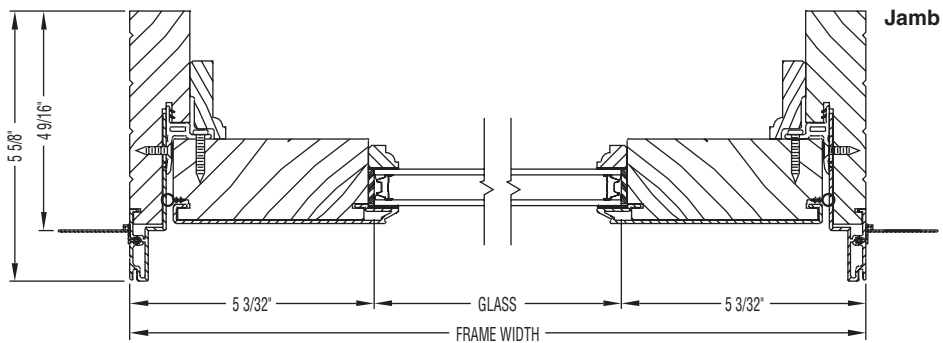
Section Details

Scale: 3" = 1' 0"

Outswing French Door Transom — 2 3/4" Rails and 4 11/16" Stiles — ST1



Vertical Section



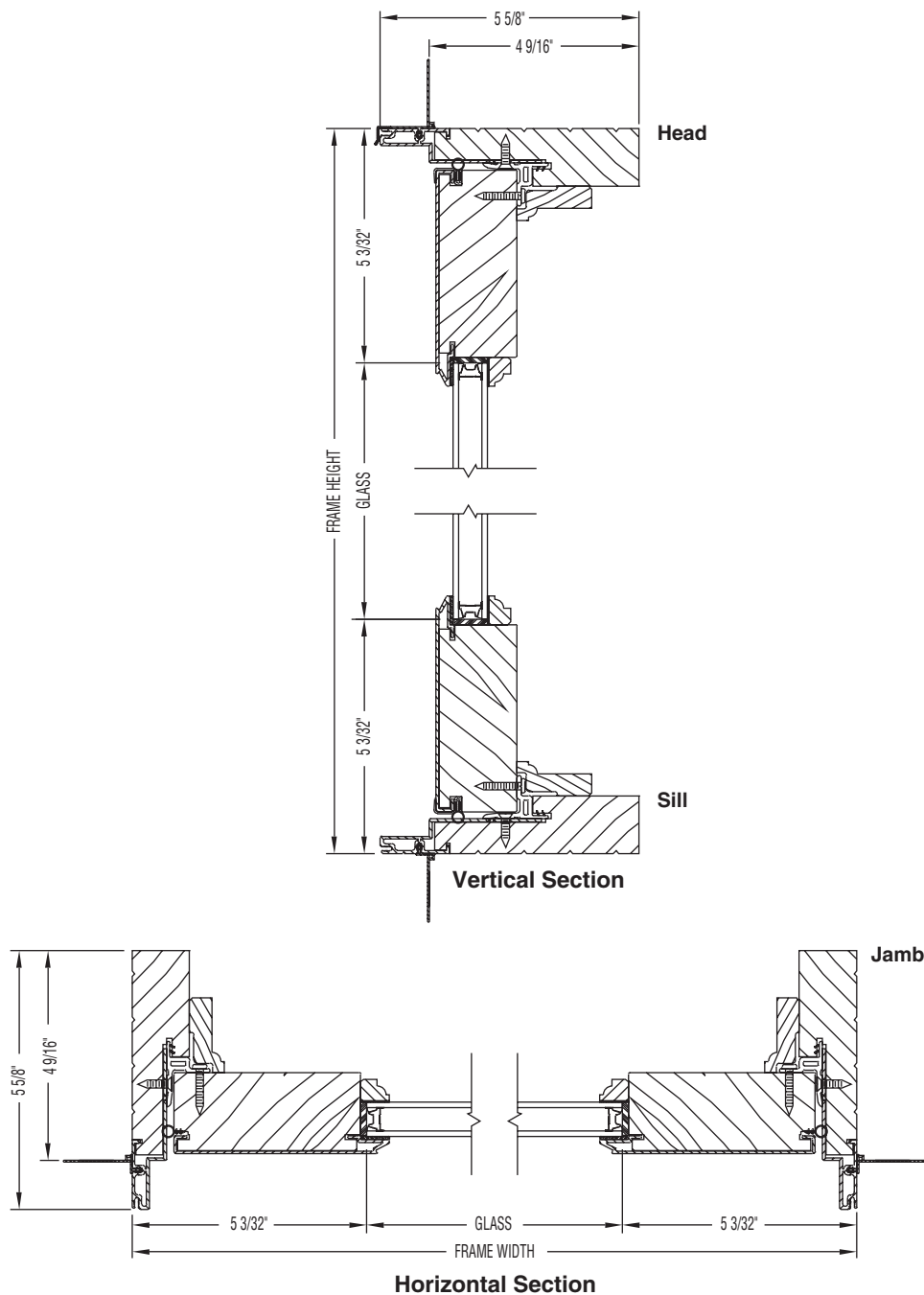
Horizontal Section

Clad Ascent™ Door Transoms

Section Details

Scale: 3" = 1' 0"

Outswing French Door Transom — 4 11/16" Rails and Stiles — ST3

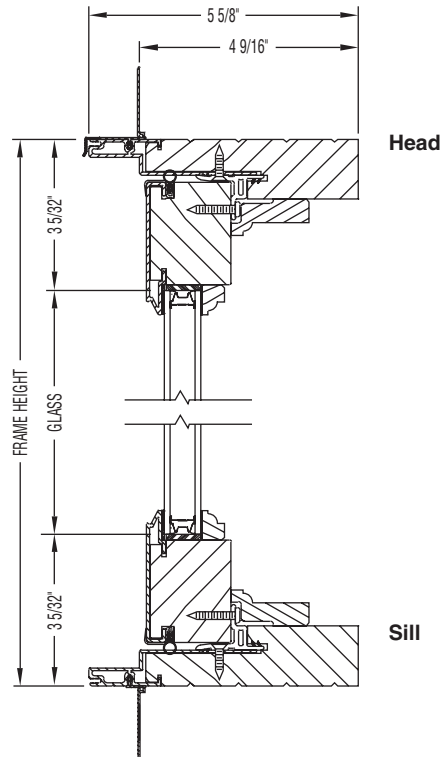


Clad Ascent™ Door Transoms

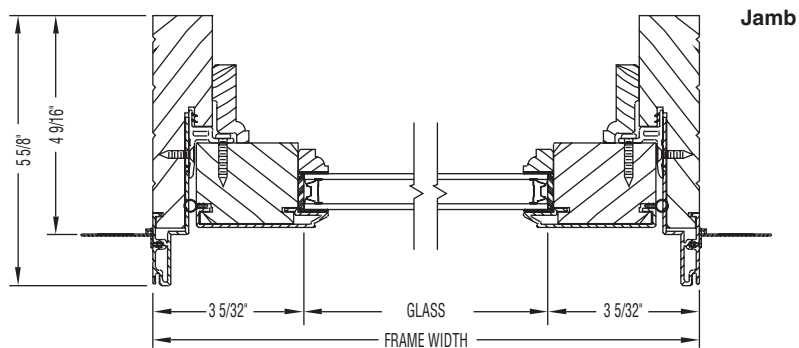
Section Details

Scale: 3" = 1' 0"

Outswing French Door Transom — 2 3/4" Rails and Stiles — ST2



Vertical Section



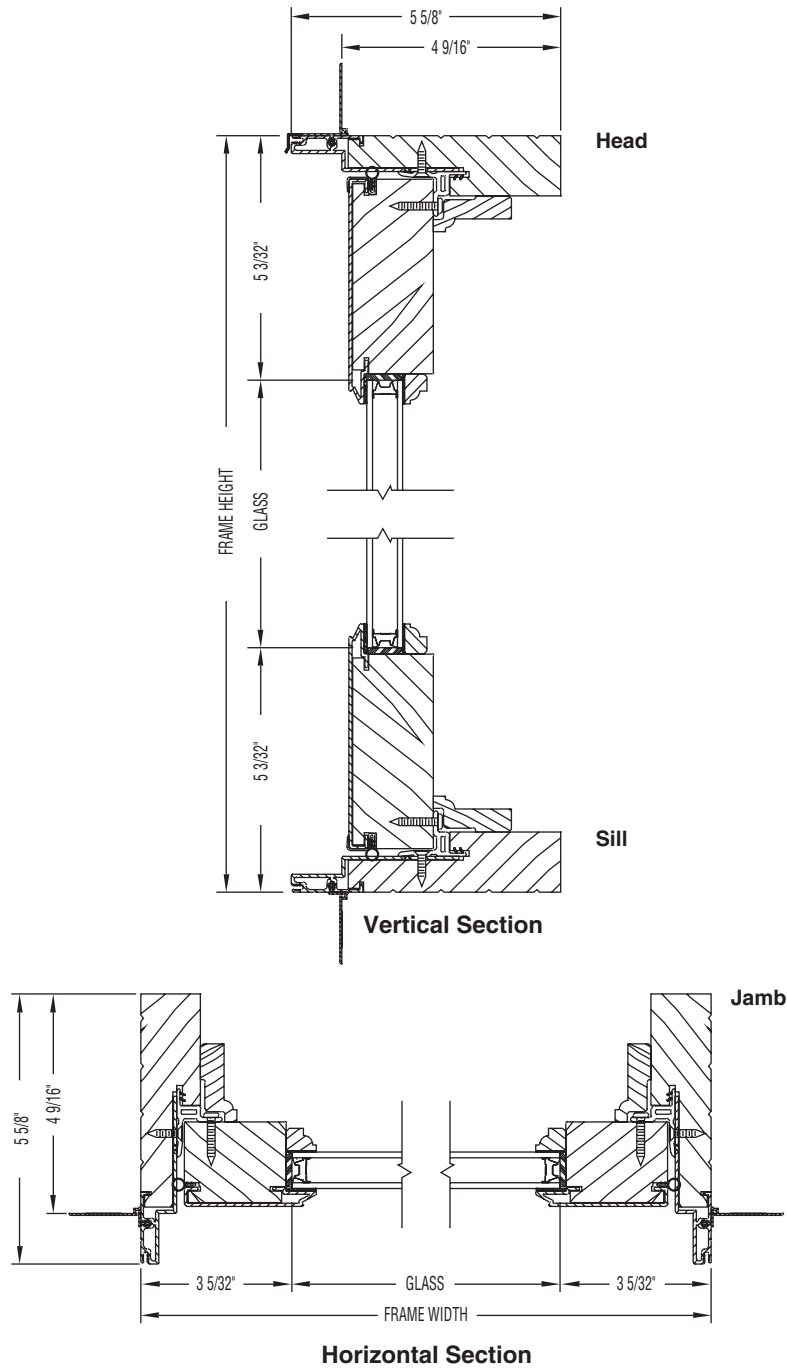
Horizontal Section

Clad Ascent™ Door Transoms

Section Details

Scale: 3" = 1' 0"

Outswing French Door Transom — 4 11/16" Rails and 2 3/4" Stiles — ST4

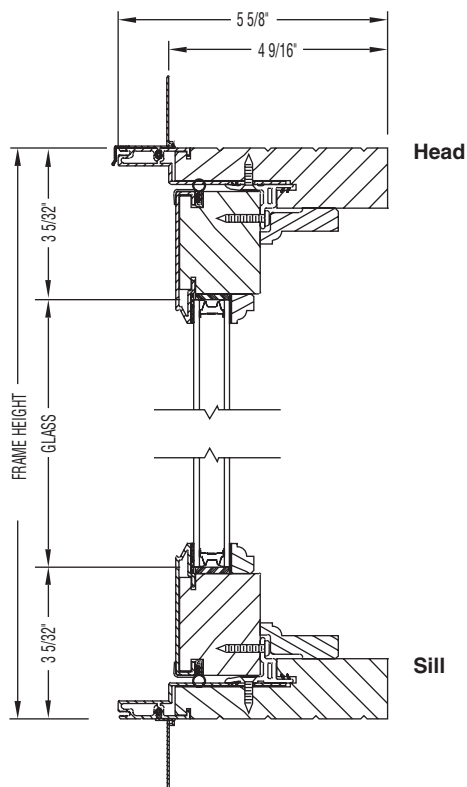


Clad Ascent™ Door Transoms

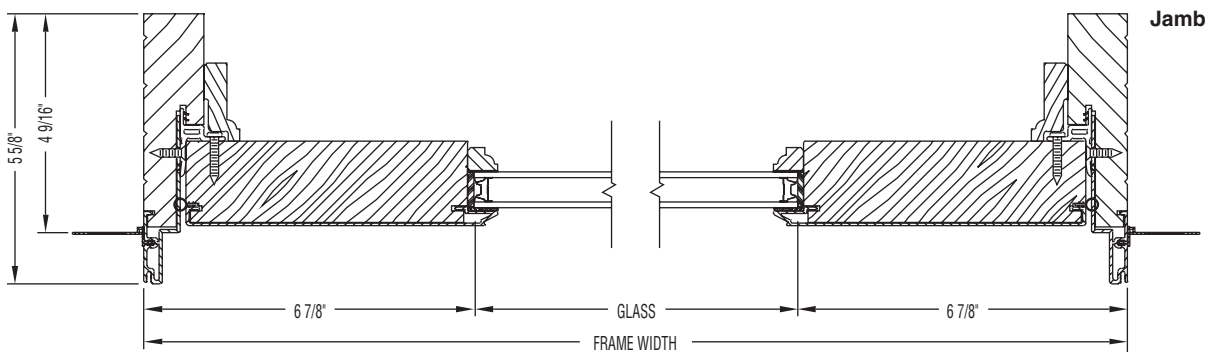
Section Details

Scale: 3" = 1' 0"

Outswing French Door Transom — 2 3/4" Rails and 6 1/2" Stiles — CT1



Vertical Section



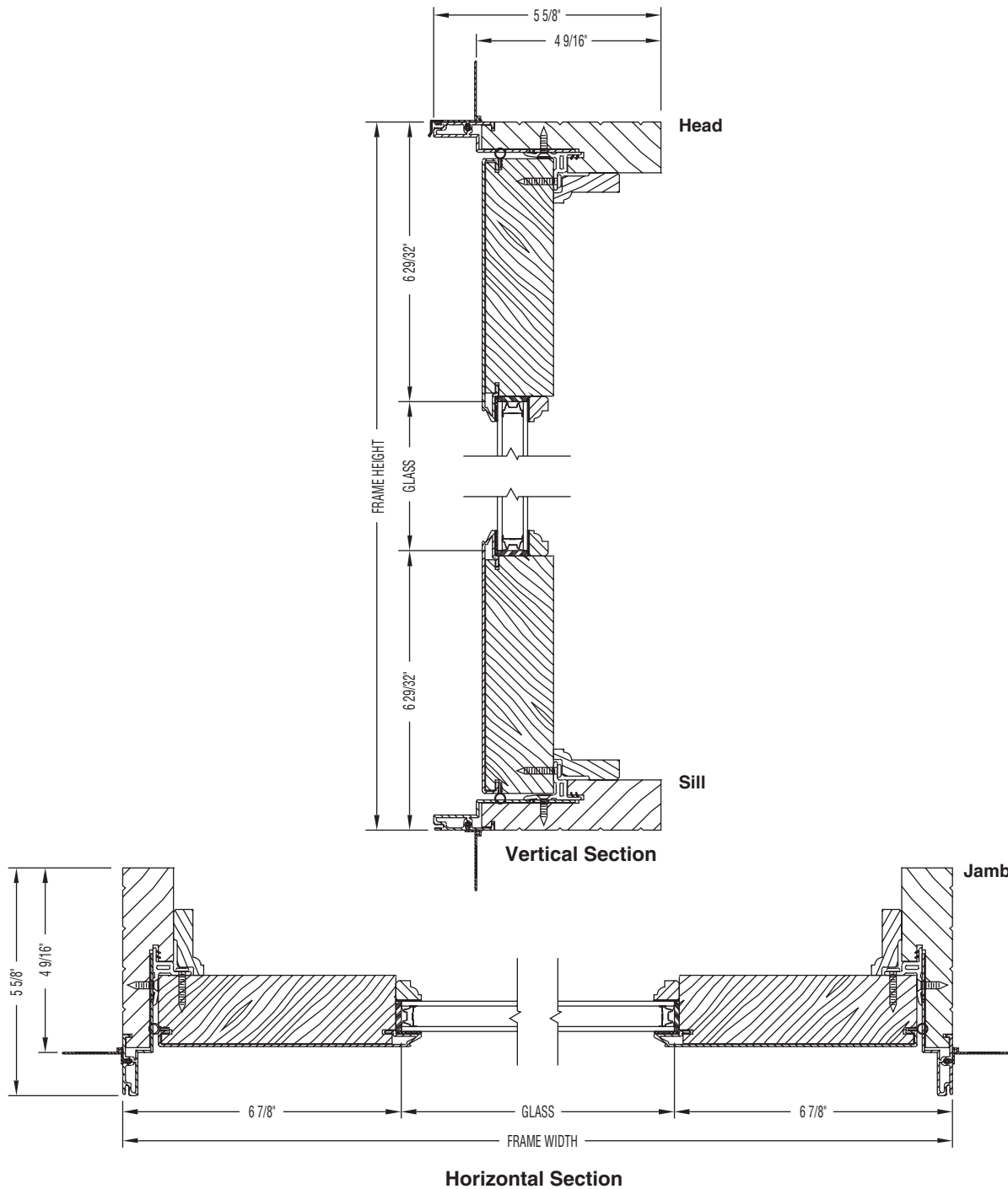
Horizontal Section

Clad Ascent™ Door Transoms

Section Details

Scale: 3" = 1' 0"

Outswing French Door Transom — 6 1/2" Rails and Stiles — CT3



Clad Ascent™ Door Transoms

Section Details

Scale: 3" = 1' 0"

Outswing French Door Transom — 6 1/2" Rails and 2 3/4" Stiles — CT4

