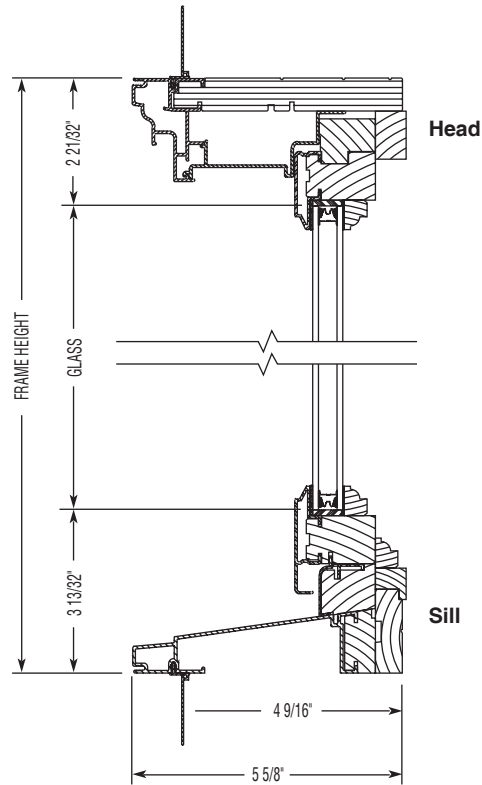


# Clad Eagle Talon® Double-Hungs

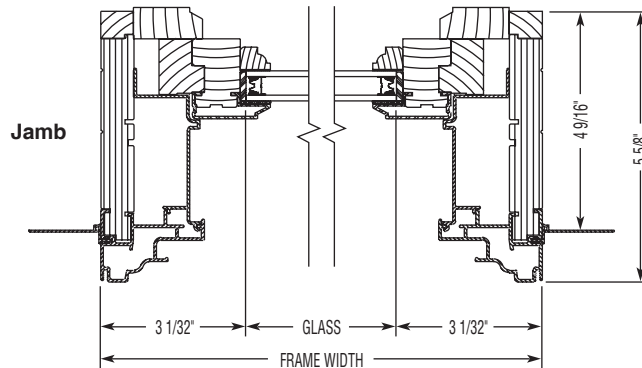
## Section Details

Scale: 3" = 1' 0"

### Double-Hung Picture



Vertical Section



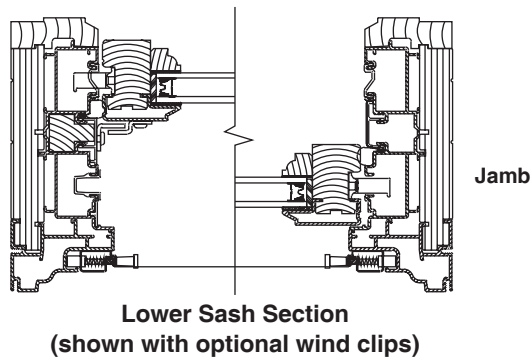
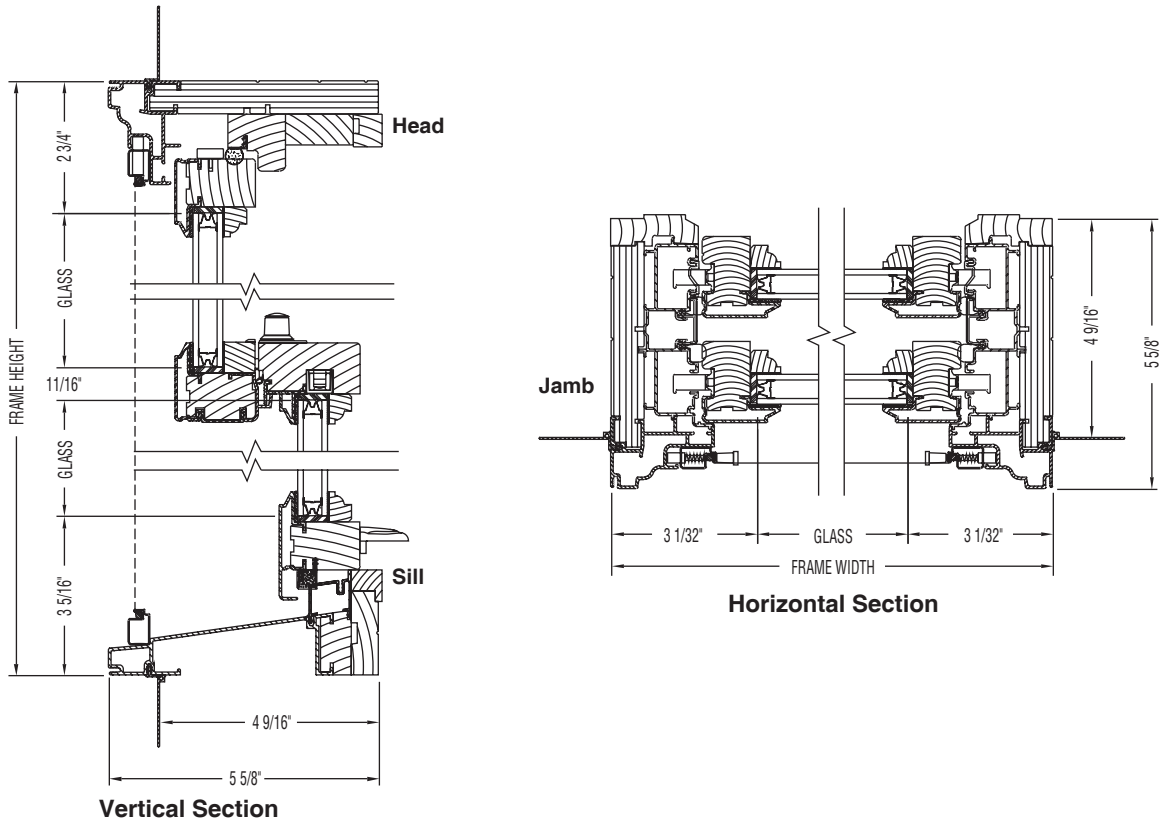
Horizontal Section

# Clad Eagle Talon® Double-Hungs

## Section Details

Scale: 3" = 1' 0"

### Talon Double-Hung

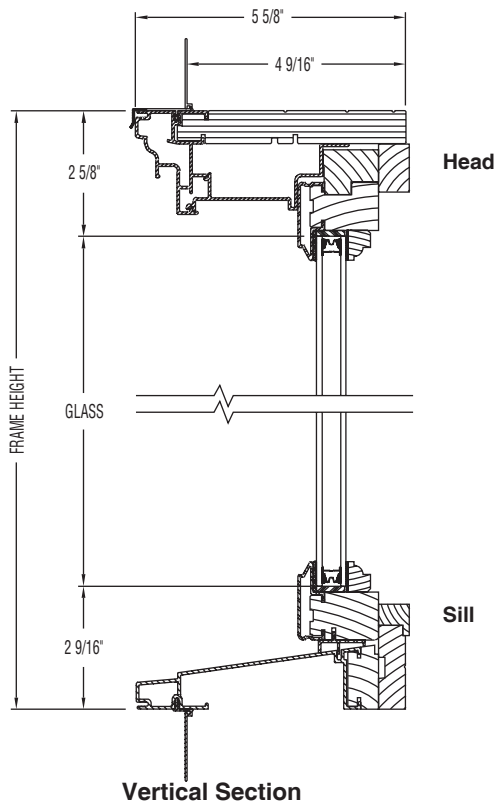


# Clad Eagle Talon® Double-Hungs

## Section Details

Scale: 3" = 1' 0"

**Double-Hung Transom**



**Double-Hung Auxiliary Transom**

