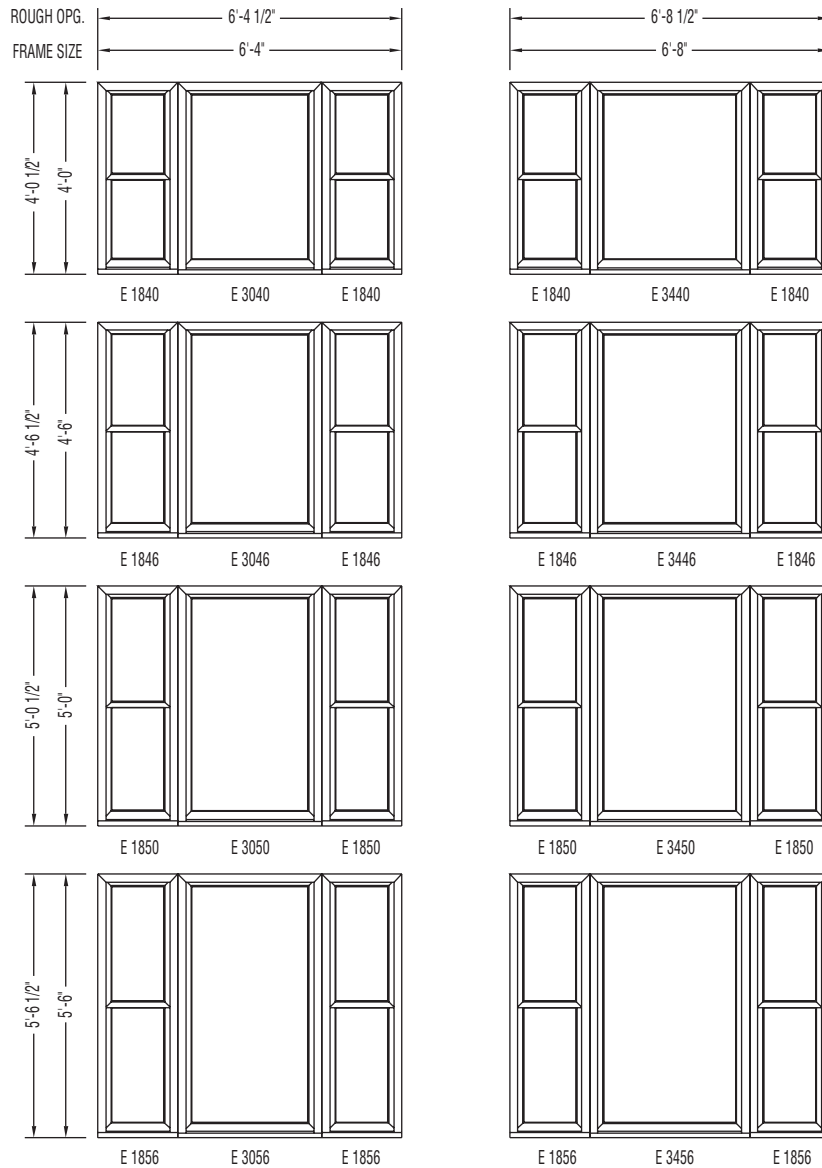


Clad Eagle Talon® Double-Hungs

Picture Units with 1' - 8" Double-Hung Flankers

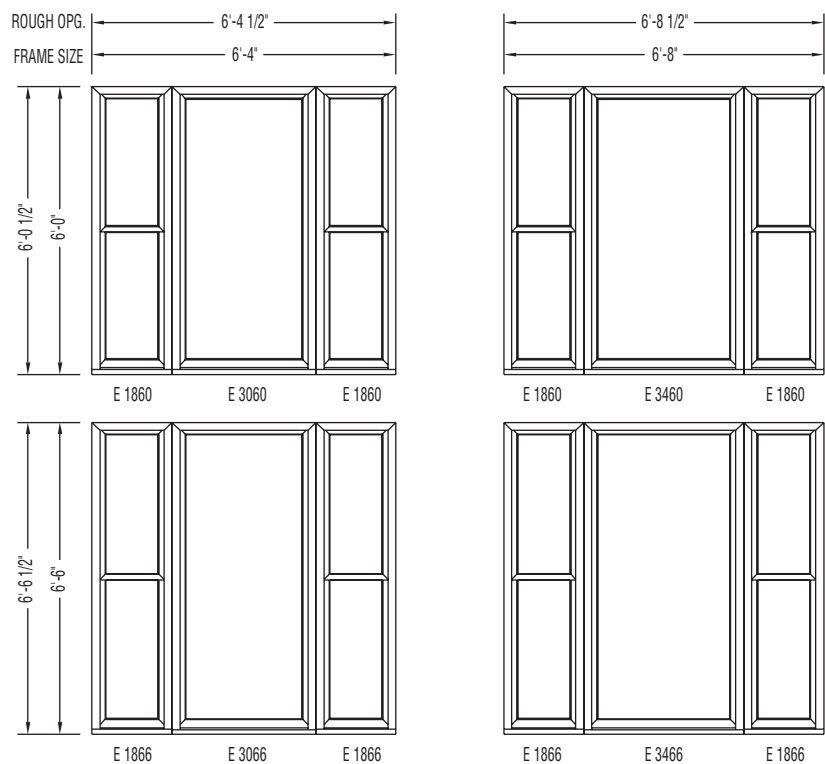
Scale: 1/4" = 1' 0"



Clad Eagle Talon® Double-Hungs

Picture Units with 1' - 8" Double-Hung Flankers

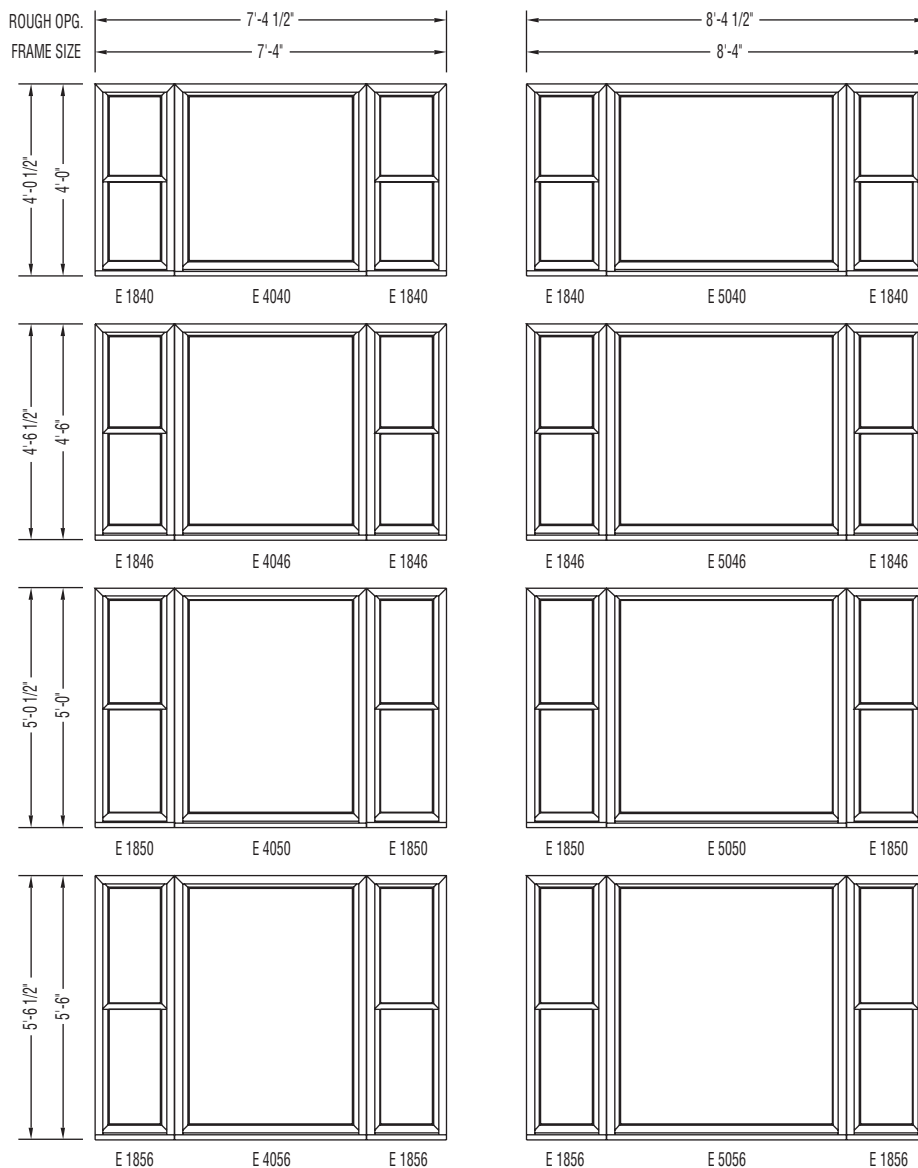
Scale: 1/4" = 1' 0"



Clad Eagle Talon® Double-Hungs

Picture Units with 1' - 8" Double-Hung Flankers

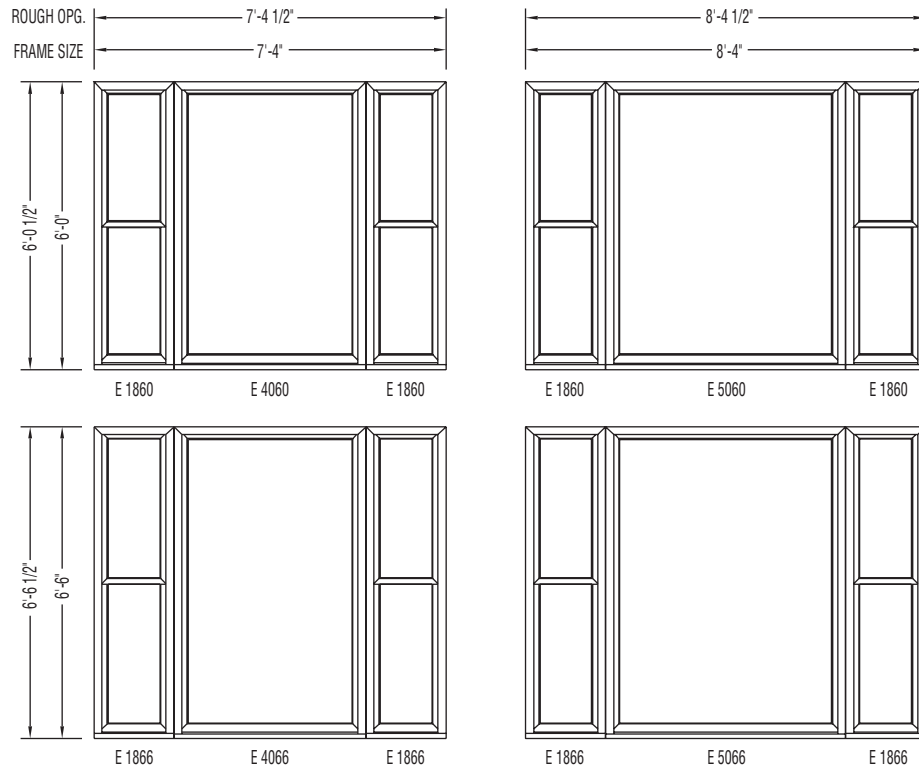
Scale: 1/4" = 1' 0"



Clad Eagle Talon® Double-Hung

Picture Units with 1' - 8" Double-Hung Flankers

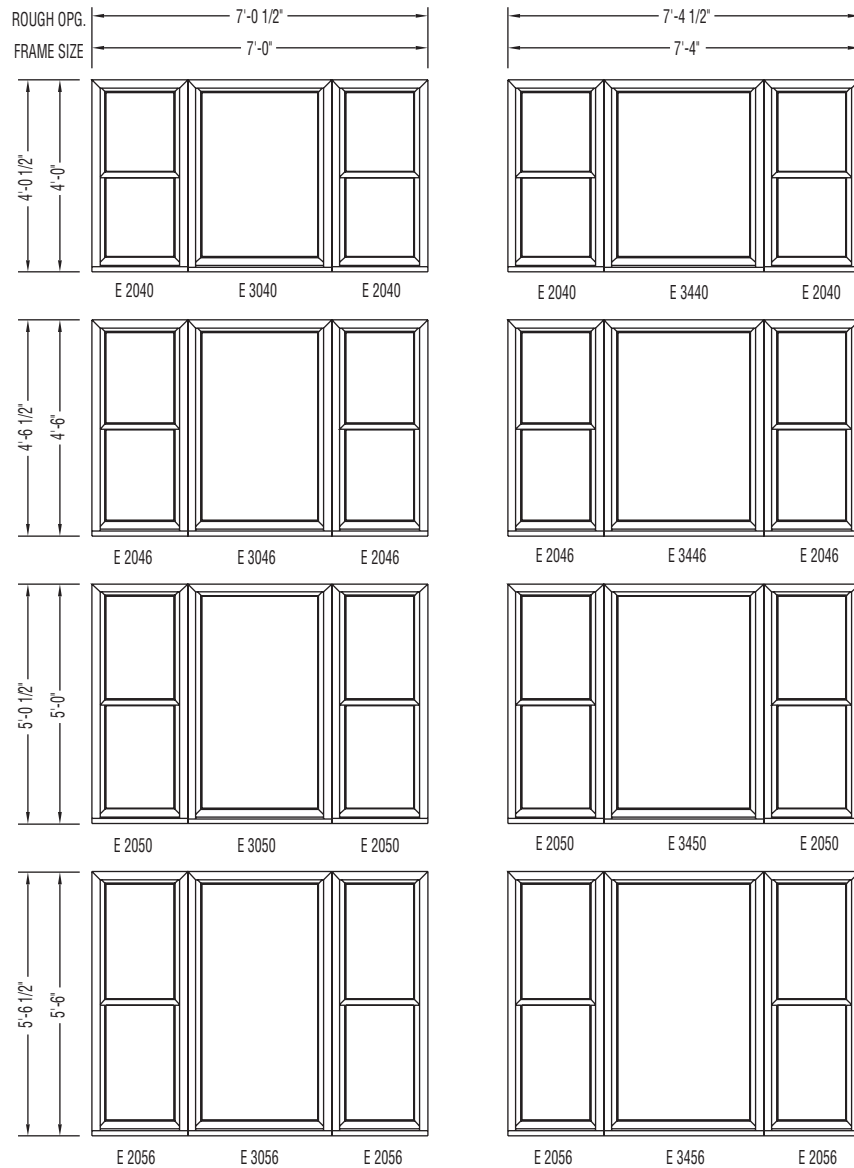
Scale: 1/4" = 1' 0"



Clad Eagle Talon® Double-Hungs

Picture Units with 2' - 0" Double-Hung Flankers

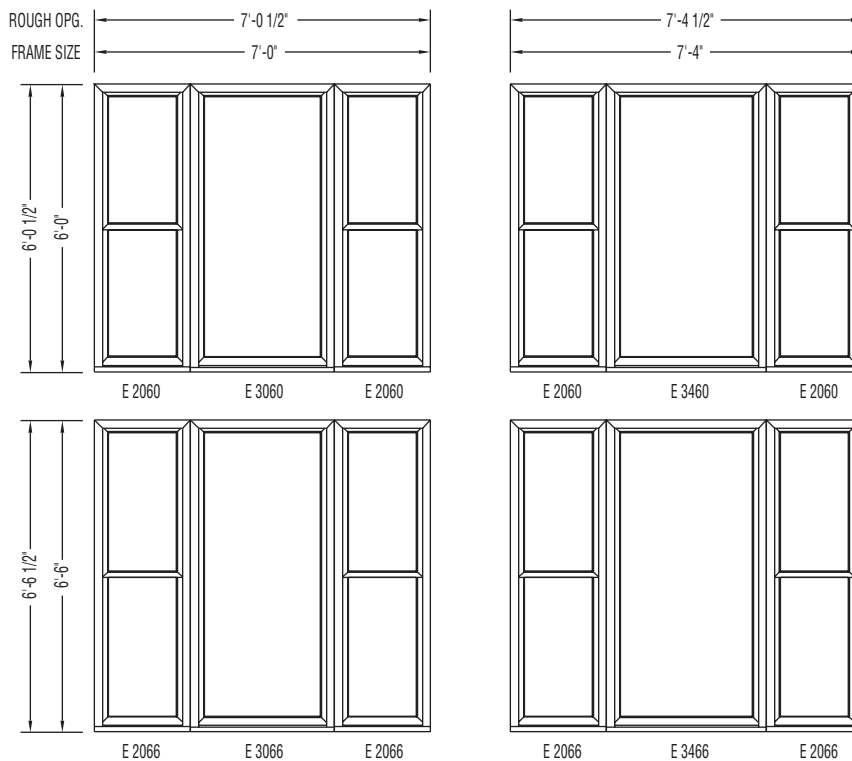
Scale: 1/4" = 1' 0"



Clad Eagle Talon® Double-Hung

Picture Units with 2' - 0" Double-Hung Flankers

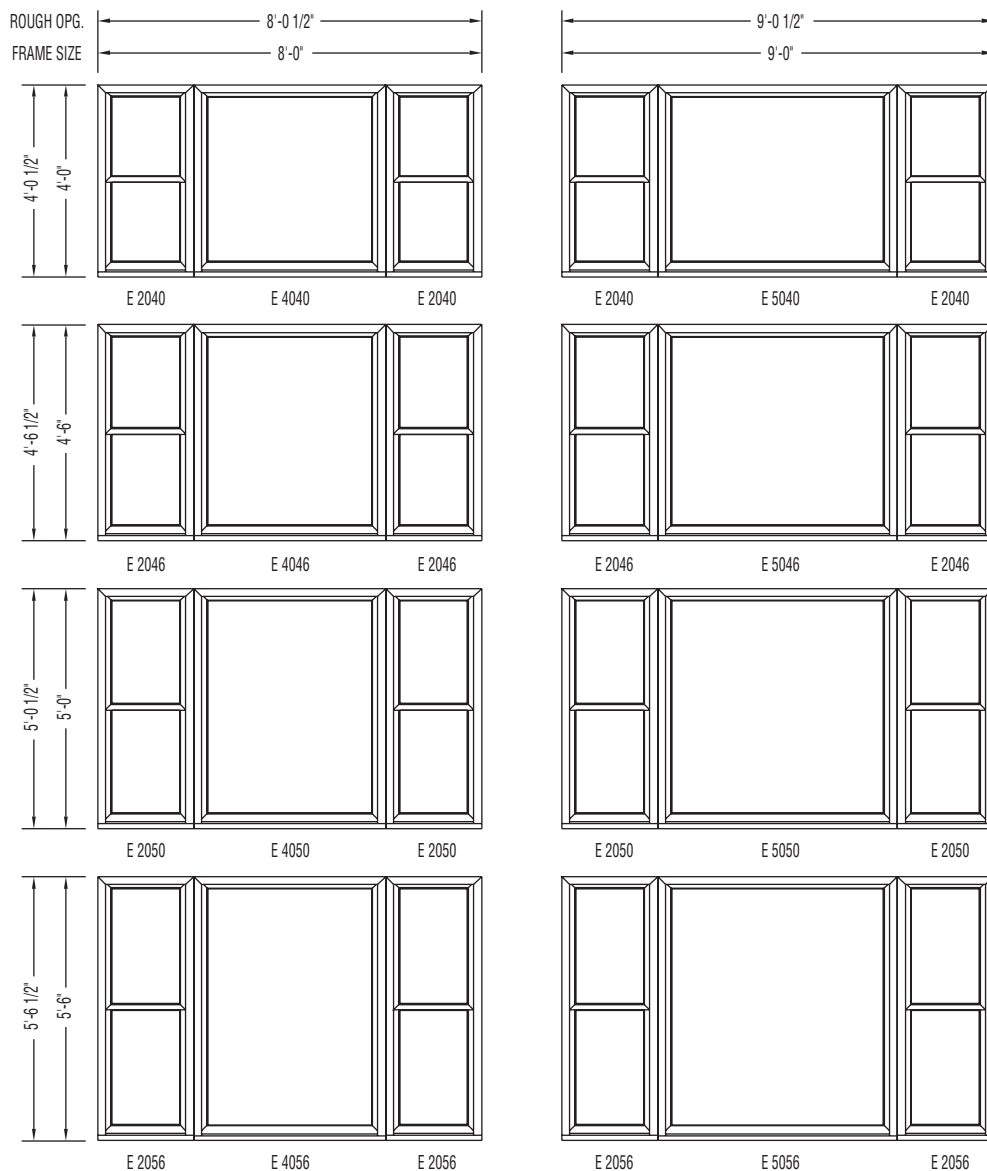
Scale: 1/4" = 1' 0"



Clad Eagle Talon® Double-Hungs

Picture Units with 2' - 0" Double-Hung Flankers

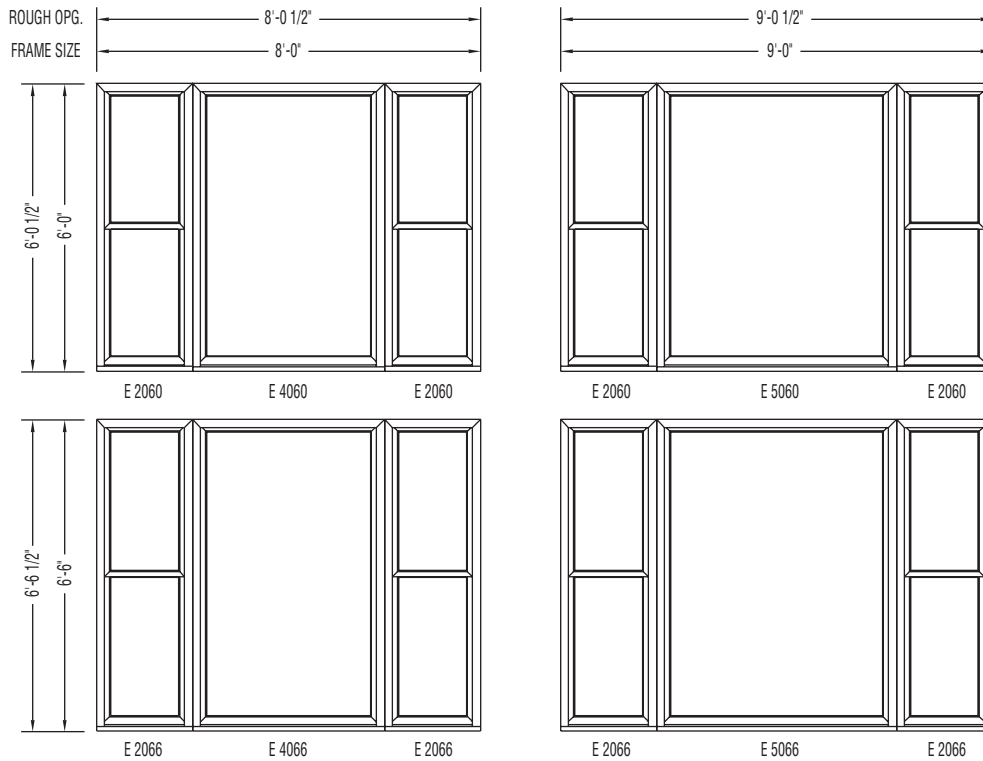
Scale: 1/4" = 1' 0"



Clad Eagle Talon® Double-Hungs

Picture Units with 2' - 0" Double-Hung Flankers

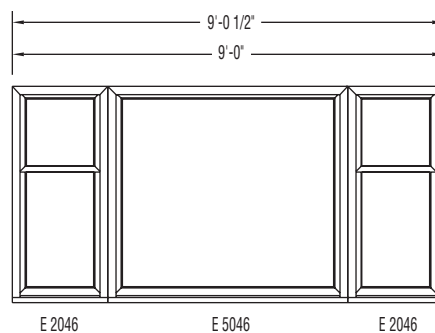
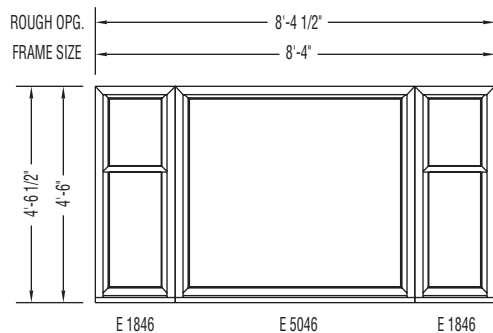
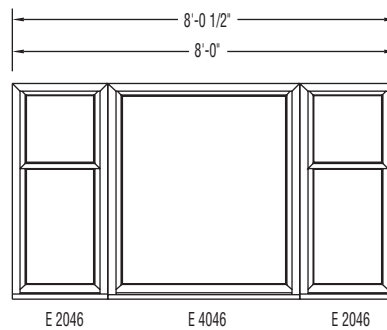
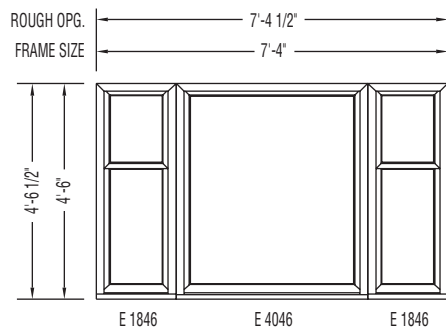
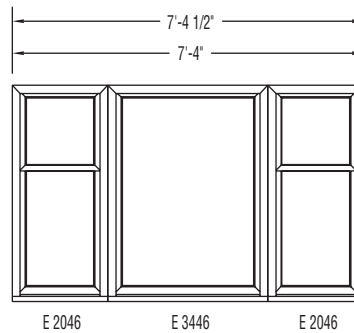
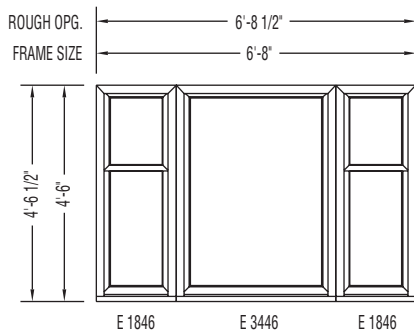
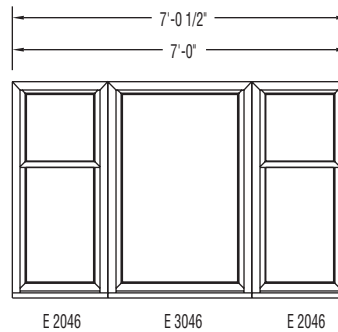
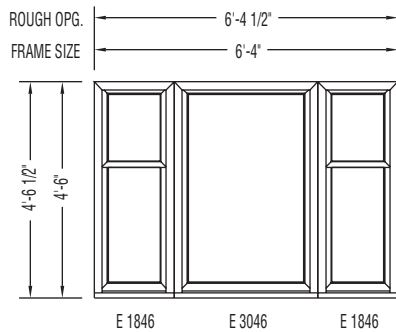
Scale: 1/4" = 1' 0"



Clad Eagle Talon® Double-Hungs

Picture Units with Double-Hung Cottage Flankers

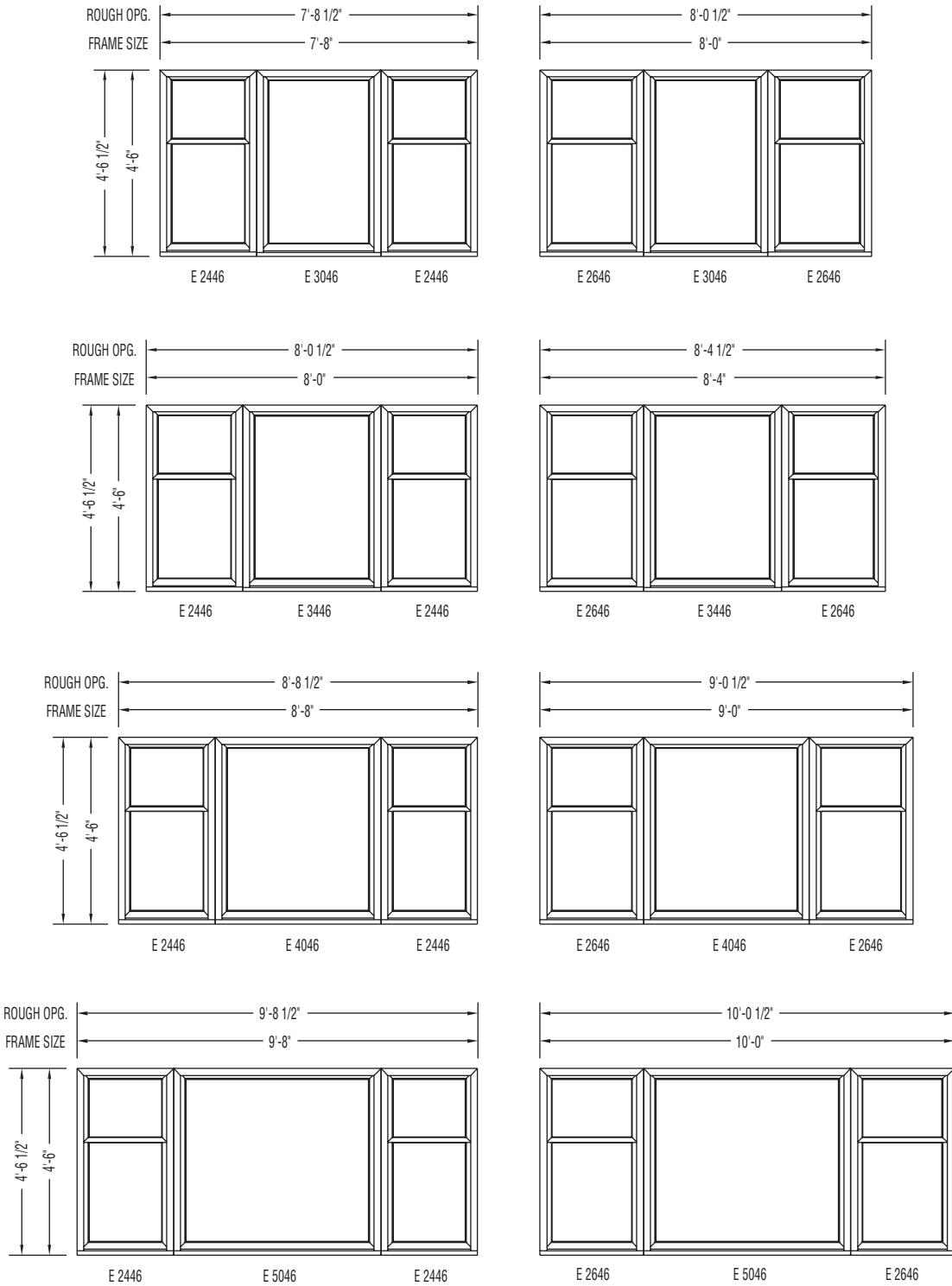
Scale: 1/4" = 1' 0"



Clad Eagle Talon® Double-Hung

Picture Units with Double-Hung Cottage Flankers

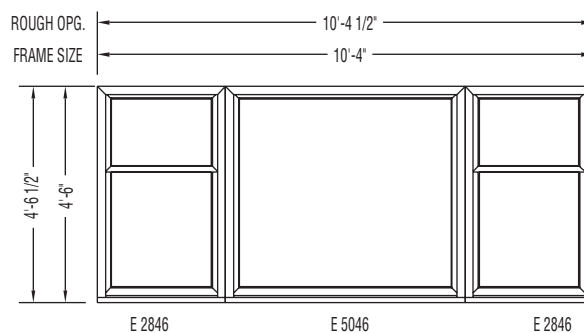
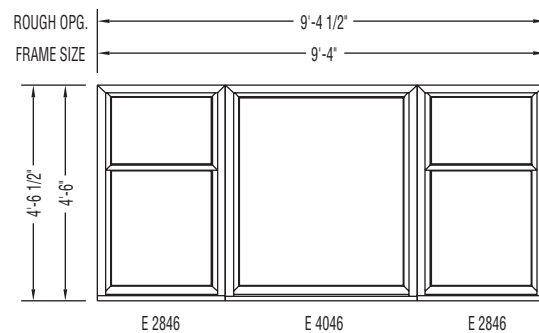
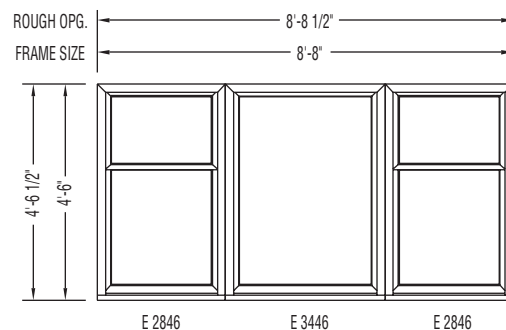
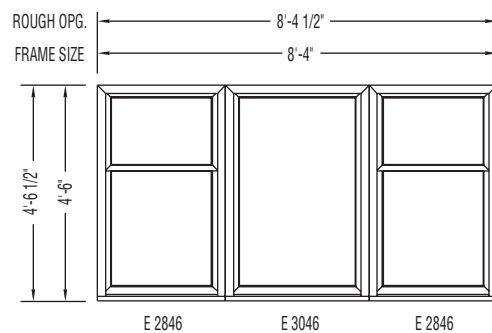
Scale: 1/4" = 1' 0"



Clad Eagle Talon® Double-Hungs

Picture Units with Double-Hung Cottage Flankers

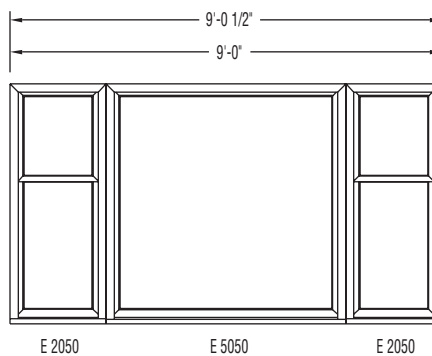
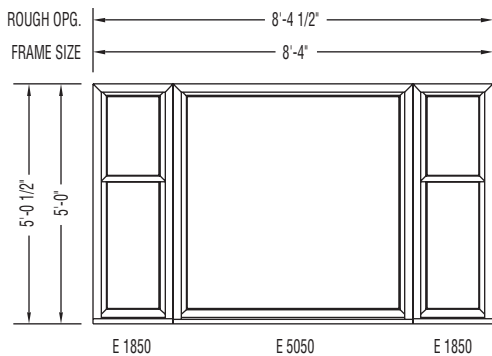
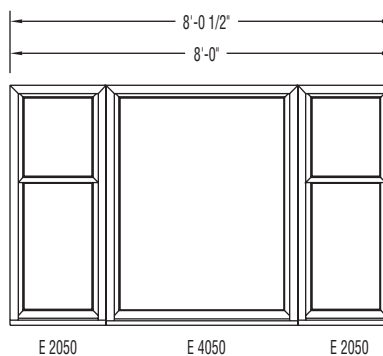
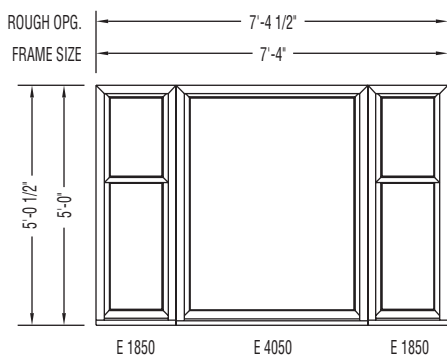
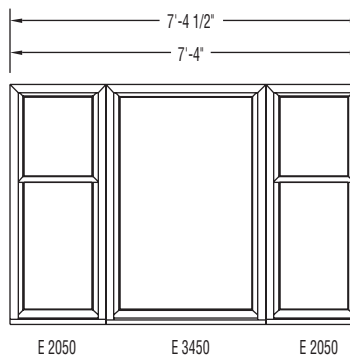
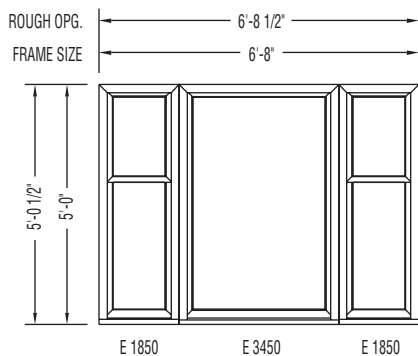
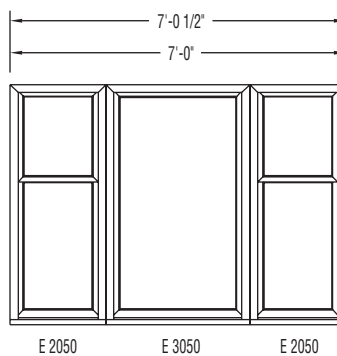
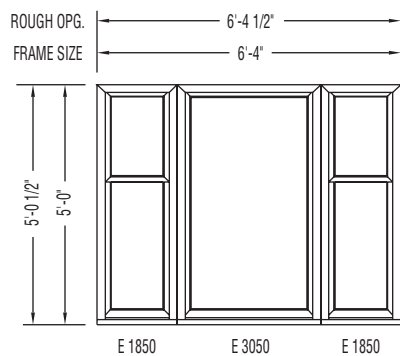
Scale: 1/4" = 1' 0"



Clad Eagle Talon® Double-Hung

Picture Units with Double-Hung Cottage Flankers

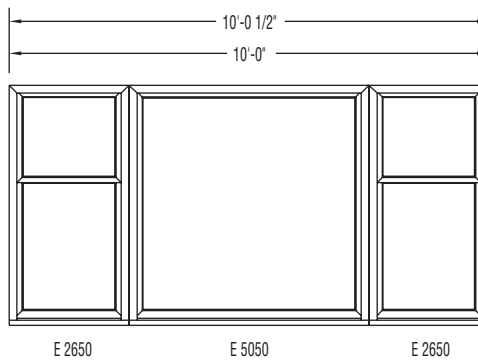
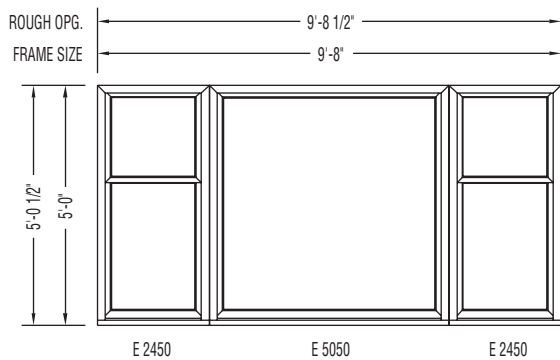
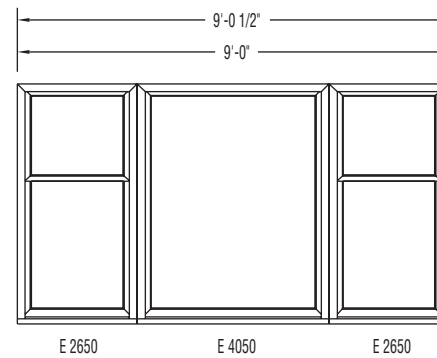
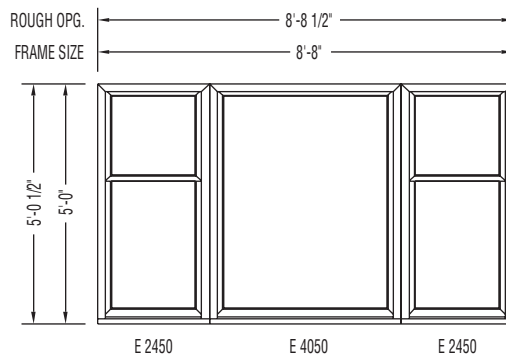
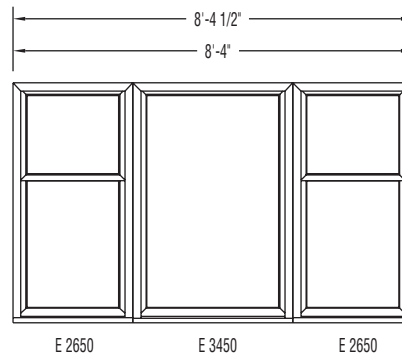
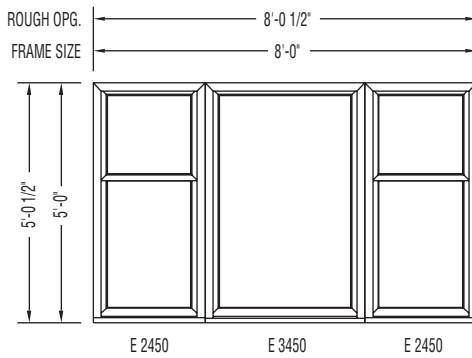
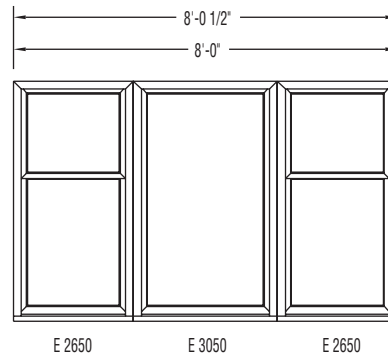
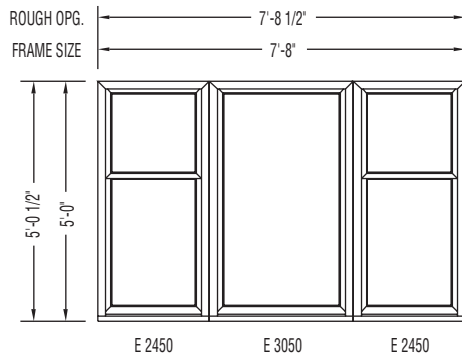
Scale: 1/4" = 1' 0"



Clad Eagle Talon® Double-Hungs

Picture Units with Double-Hung Cottage Flankers

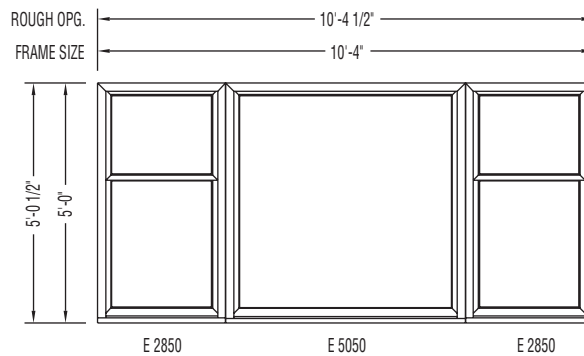
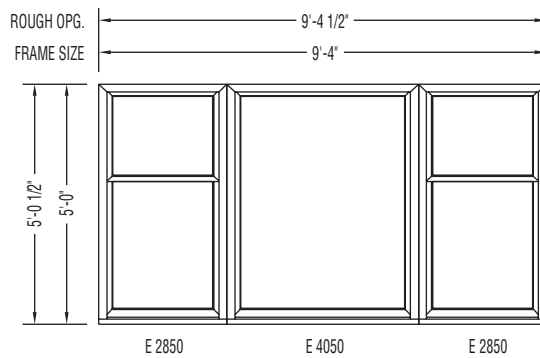
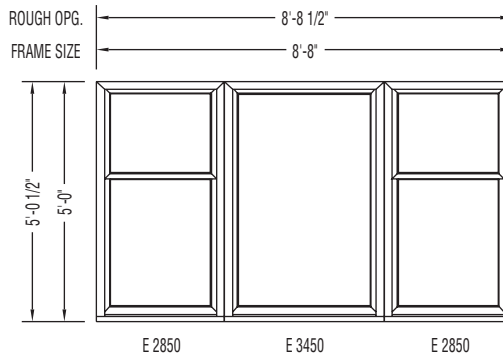
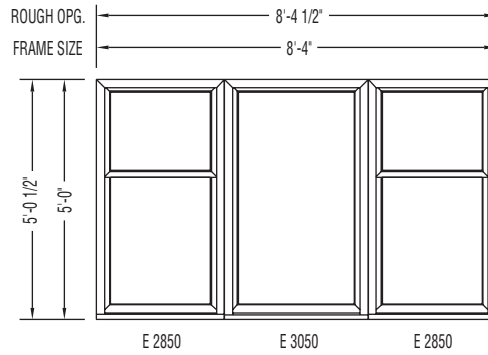
Scale: 1/4" = 1' 0"



Clad Eagle Talon® Double-Hung

Picture Units with Double-Hung Cottage Flankers

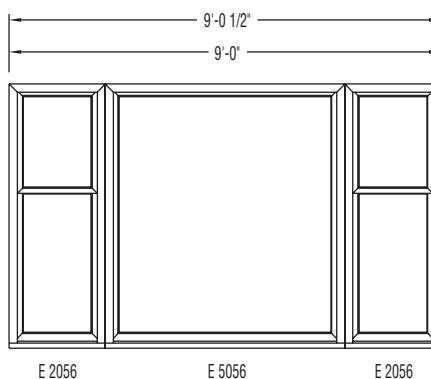
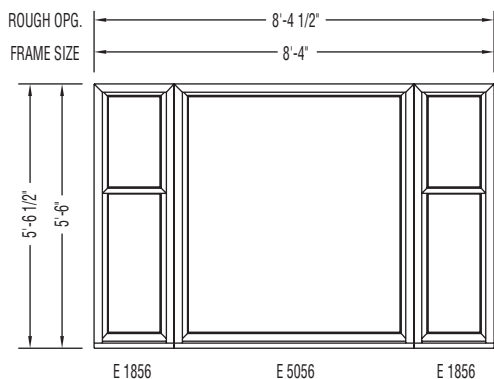
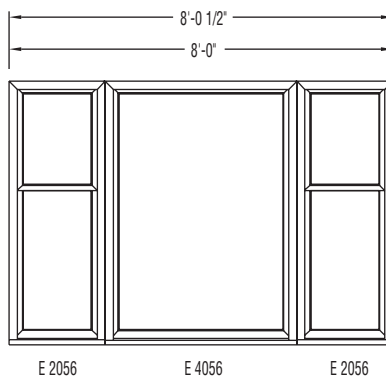
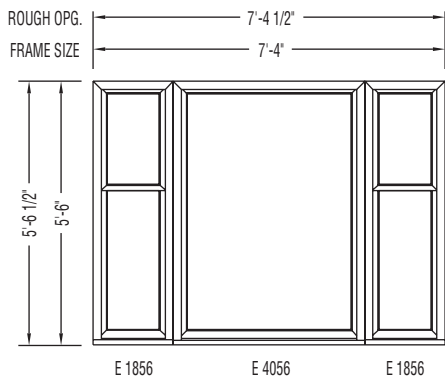
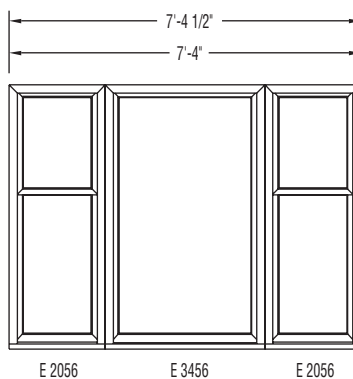
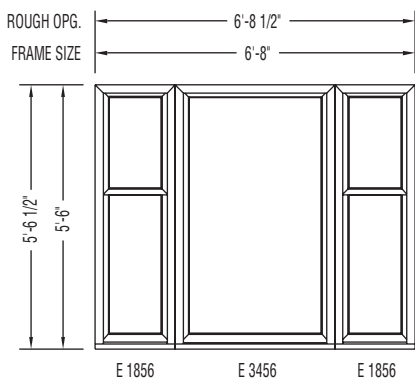
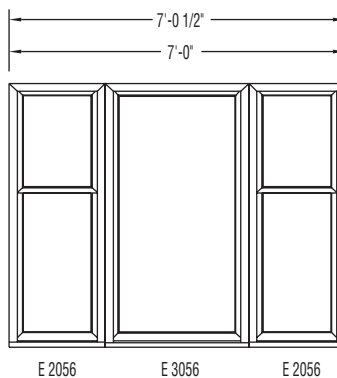
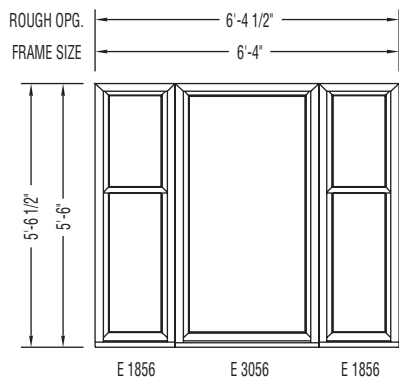
Scale: 1/4" = 1' 0"



Clad Eagle Talon® Double-Hungs

Picture Units with Double-Hung Cottage Flankers

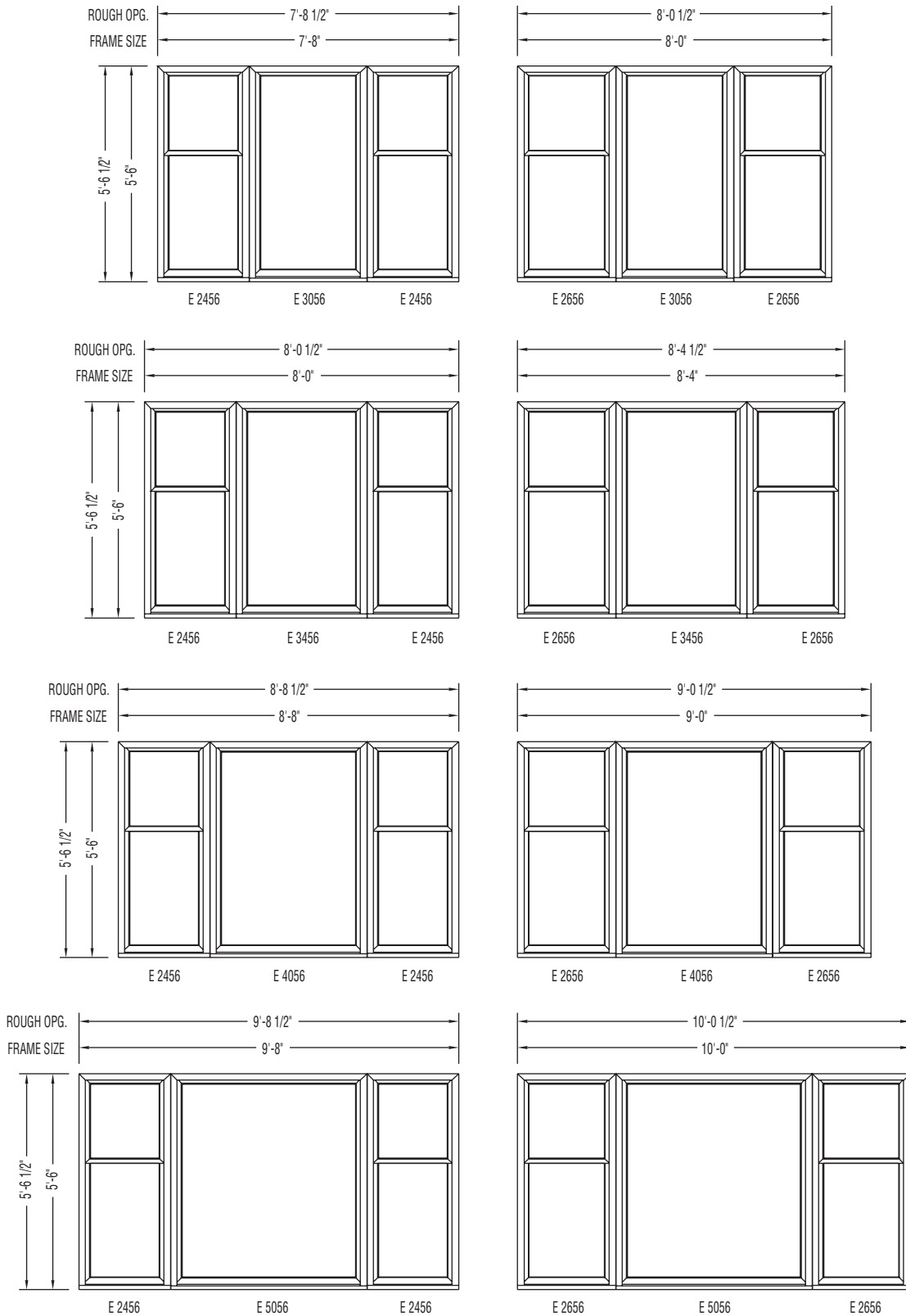
Scale: 1/4" = 1' 0"



Clad Eagle Talon® Double-Hung

Picture Units with Double-Hung Cottage Flankers

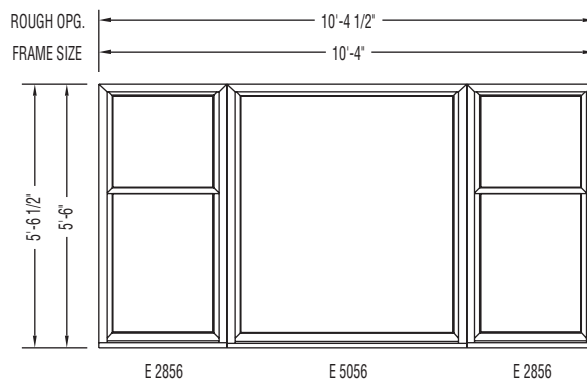
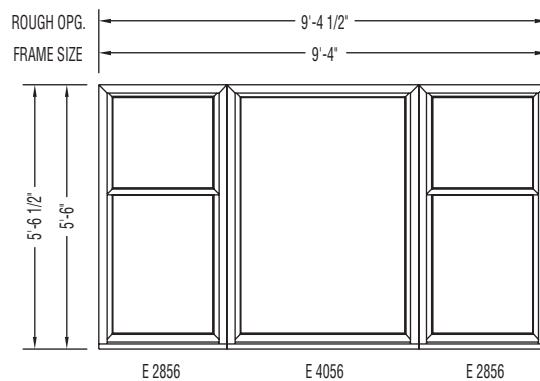
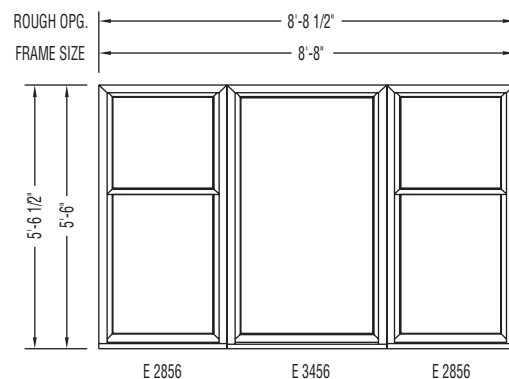
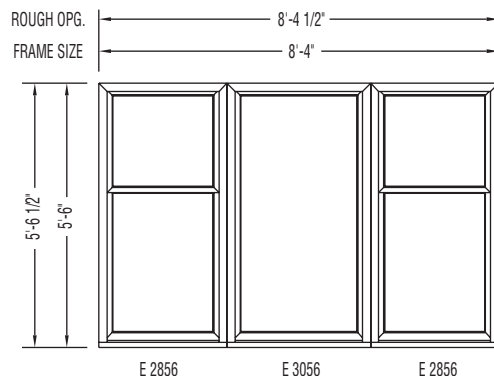
Scale: 1/4" = 1' 0"



Clad Eagle Talon® Double-Hungs

Picture Units with Double-Hung Cottage Flankers

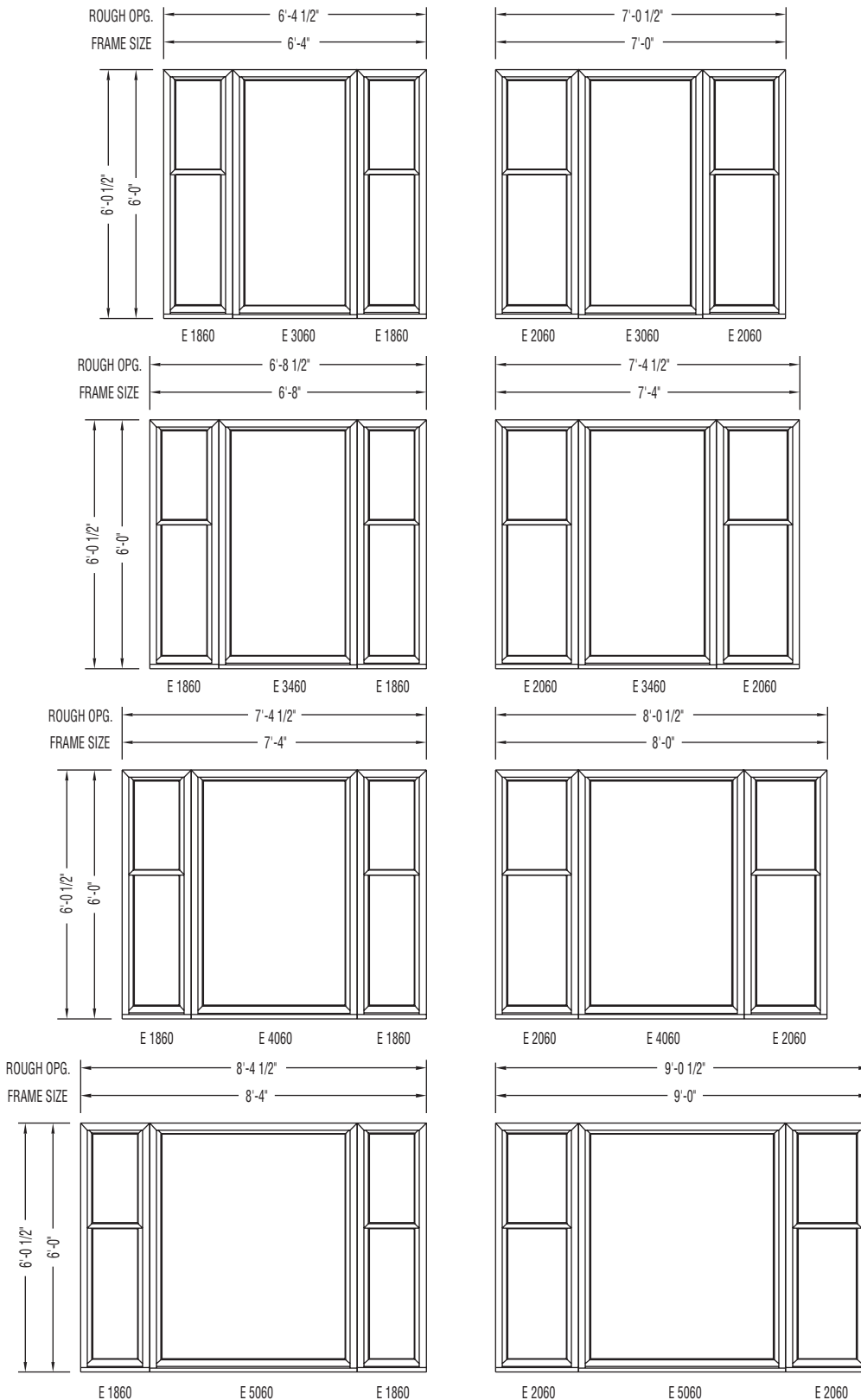
Scale: 1/4" = 1' 0"



Clad Eagle Talon® Double-Hung

Picture Units with Double-Hung Cottage Flankers

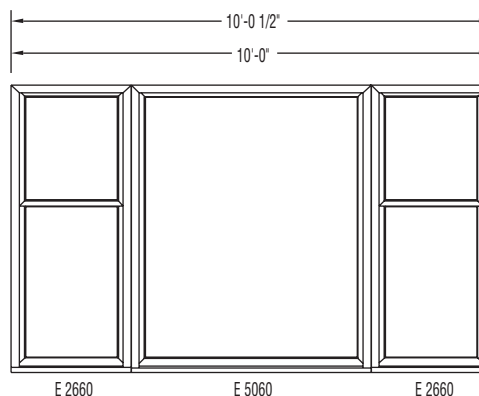
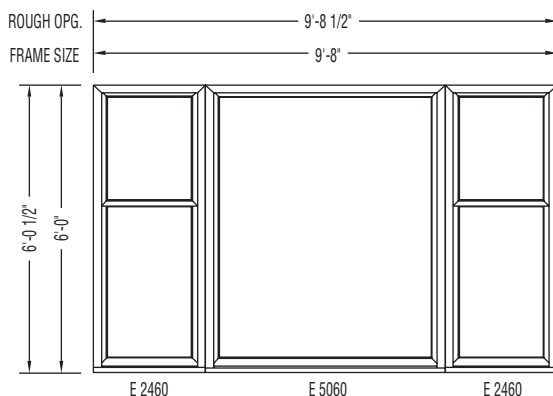
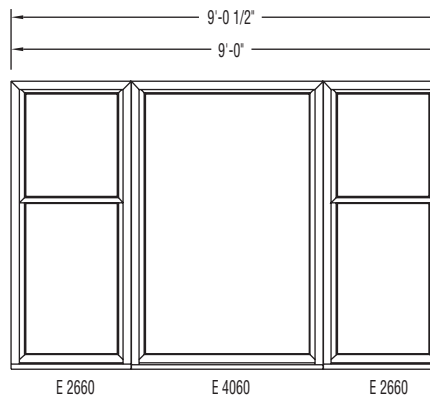
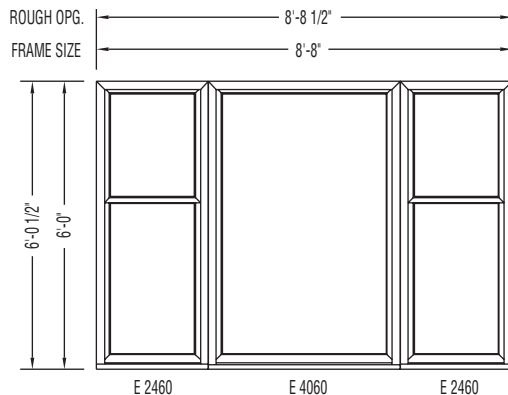
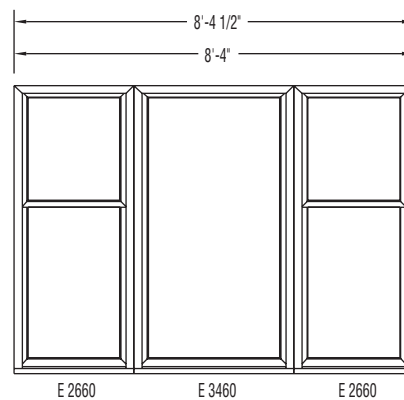
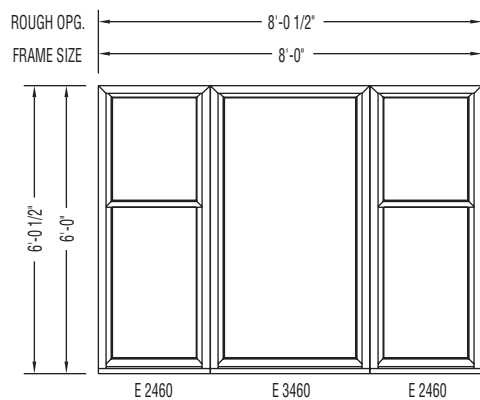
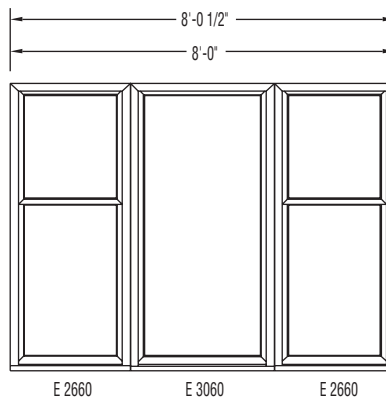
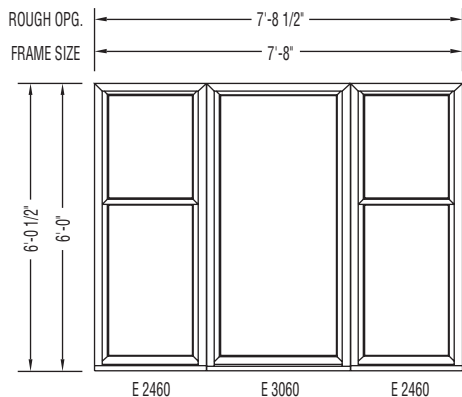
Scale: 1/4" = 1' 0"



Clad Eagle Talon® Double-Hungs

Picture Units with Double-Hung Cottage Flankers

Scale: 1/4" = 1' 0"



Clad Eagle Talon® Double-Hung

Picture Units with Double-Hung Cottage Flankers

Scale: 1/4" = 1' 0"

