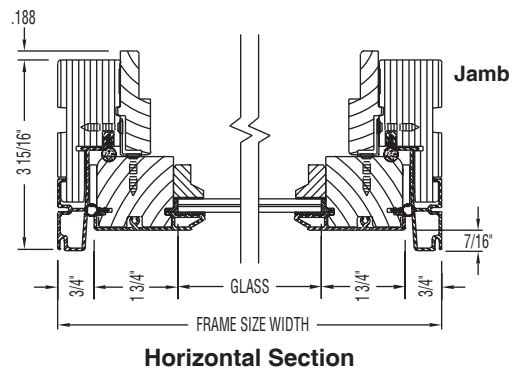
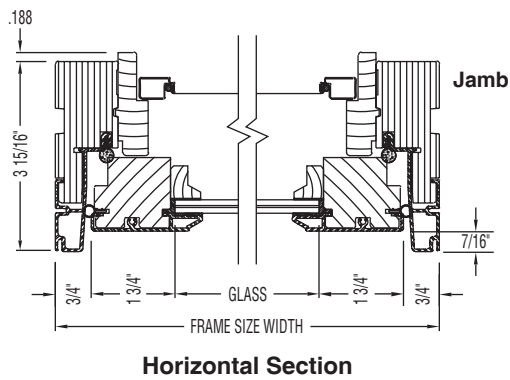
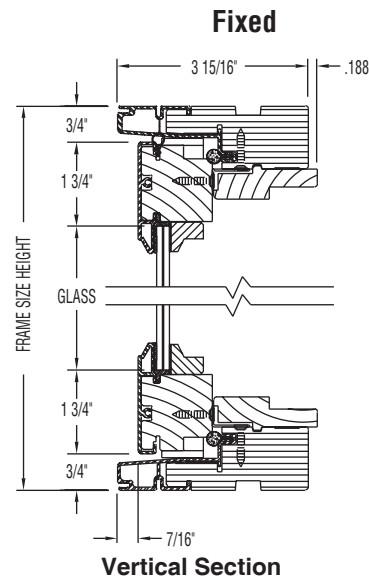
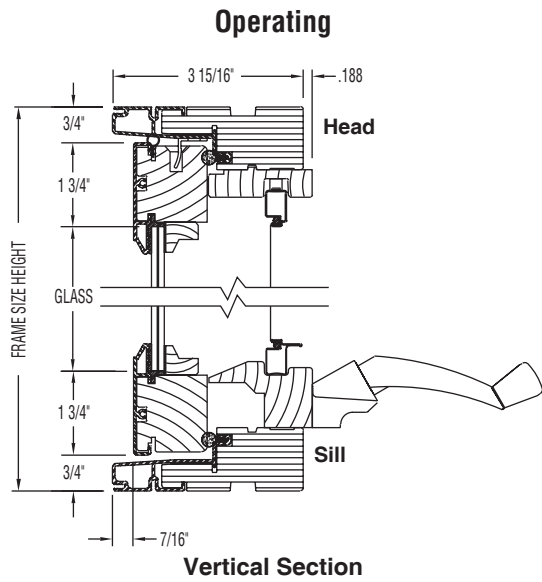


Clad Eagle Axiom™ Awnings

Section Details with Seastorm Glass

Scale: 3" = 1' 0"

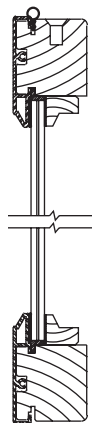


Clad Eagle Axiom™ Awnings

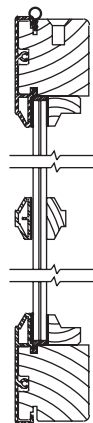
SeaStorm Glazing Options and Accessories

Scale: 3" = 1' 0"

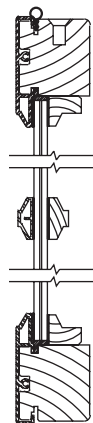
Glazing Options



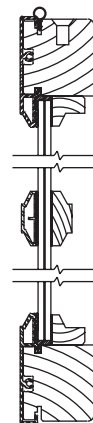
SeaStorm Glass



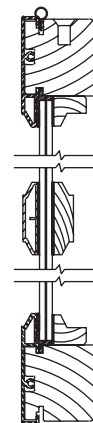
7/8" Classic
Divided Lights



7/8" Modern
Divided Lights

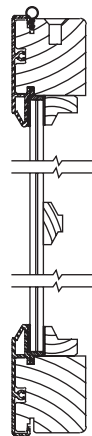


1 1/8" Modern
Divided Lights

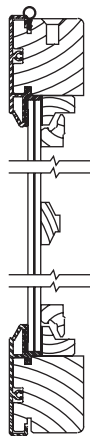


1 1/2" Modern
Divided Lights

Removable Wood Grilles



7/8" KD Grille

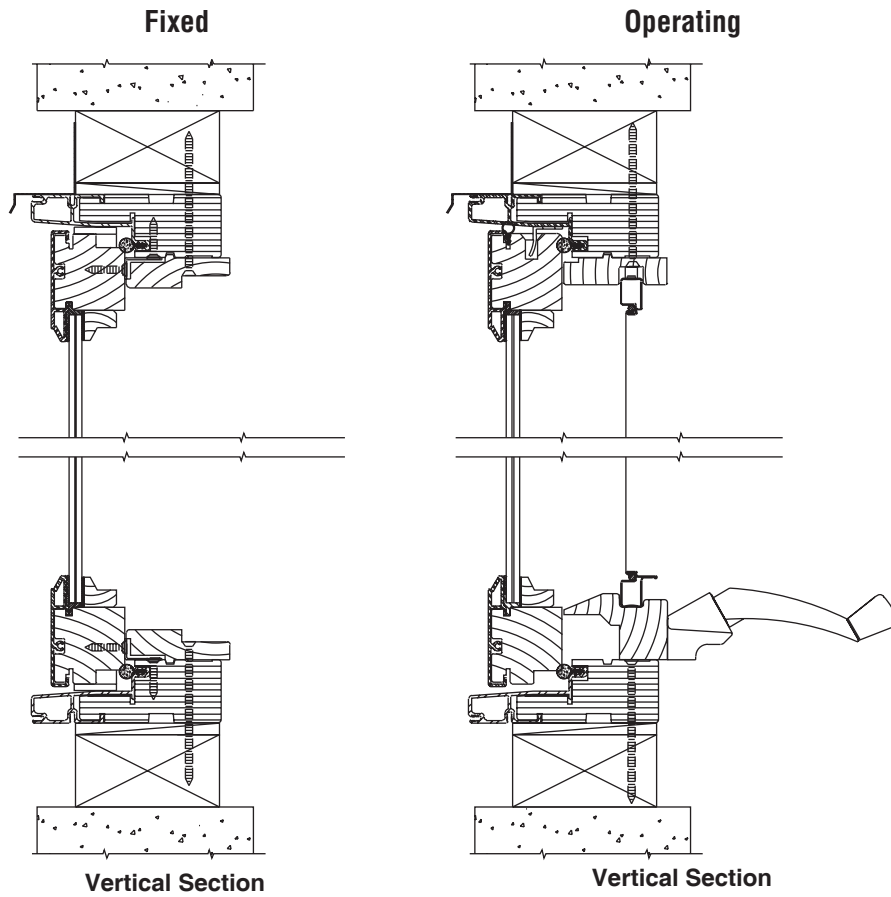


7/8" Full
Surround Grille

Clad Eagle Axiom™ Awnings

SeaStorm Installation Details

Scale: 3" = 1' 0"

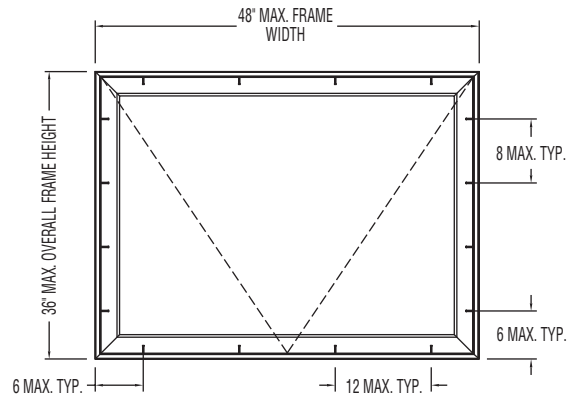


Clad Eagle Axiom™ Awnings

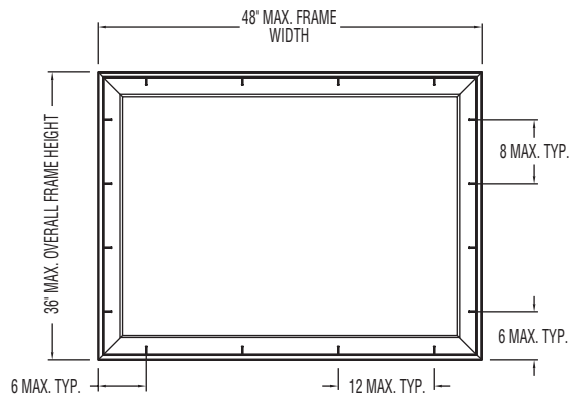
SeaStorm Installation Details

Scale: 1/2" = 1' 0"

Operating Awning



CSMT Picture

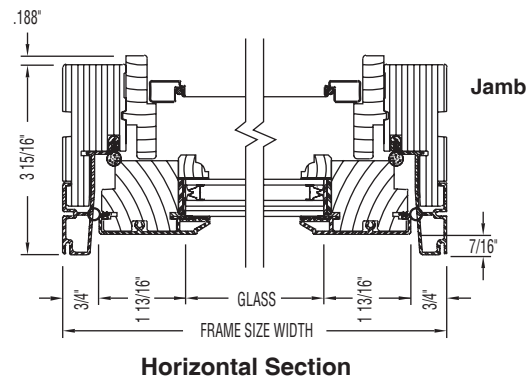
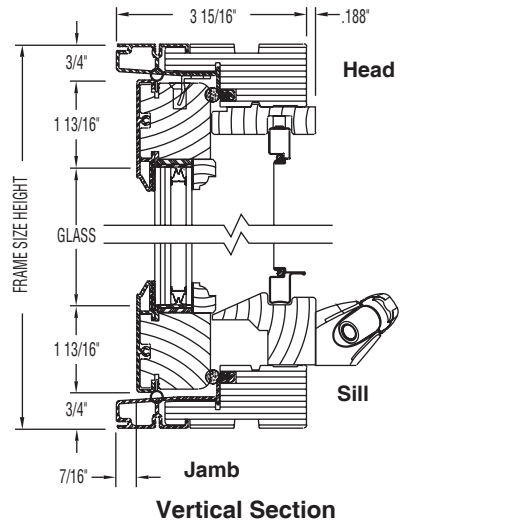


Clad Eagle Axiom™ Awnings

HarborMaster IG Section Details

Scale: 3" = 1' 0"

Operating

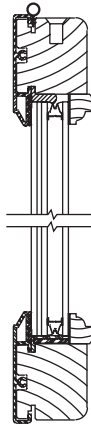


Clad Eagle Axiom™ Awnings

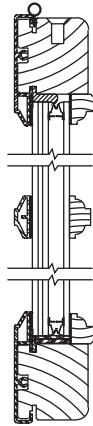
HarborMaster IG Glazing Options and Accessories

Scale: 3" = 1' 0"

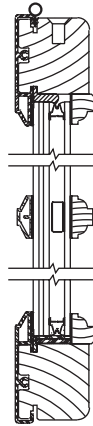
Glazing Options



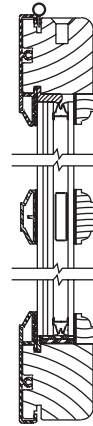
ASTM Hurricane
Glass



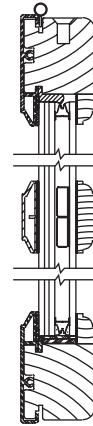
7/8" Classic
Divided Lights



7/8" Modern
Divided Lights



1 1/8" Modern
Divided Lights



1 1/2" Modern
Divided Lights

Removable Wood Grilles



7/8" KD Grille



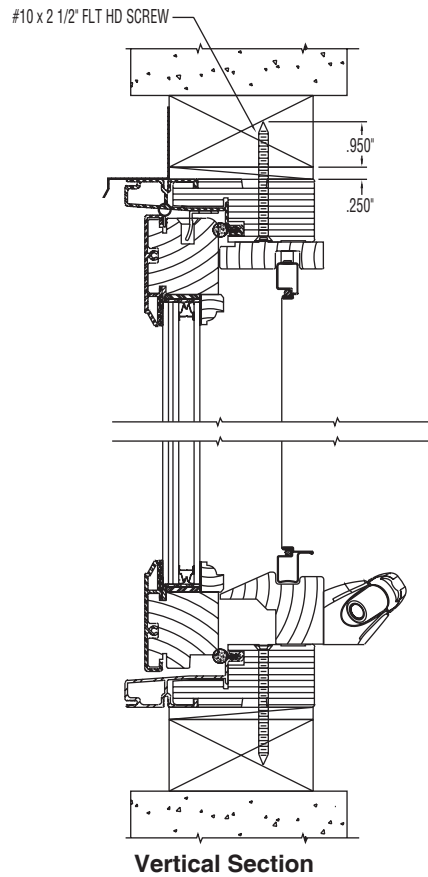
7/8" Full
Surround Grille

Clad Eagle Axiom™ Awnings

HarborMaster IG Installation Details

Scale: 3" = 1' 0"

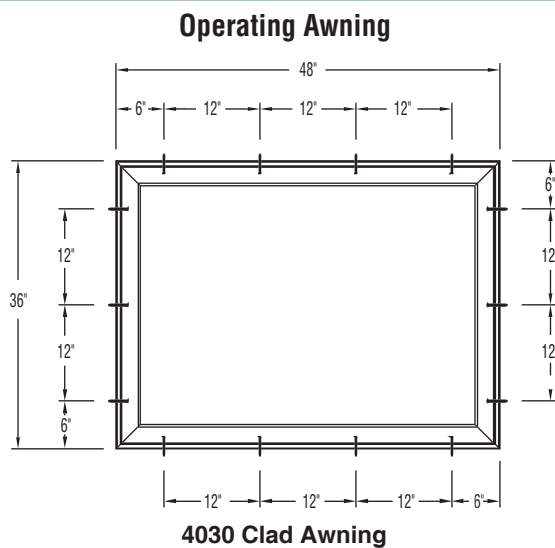
Operating



Clad Eagle Axiom™ Awnings

HarborMaster IG Installation Details

Scale: 1/2" = 1' 0"



NOTE: This product must be properly anchored in order to meet the design pressure and level of impact resistance for which it is rated. For performance data, approved glazing options, product options, and accessories consult your EAGLE Dealer.