

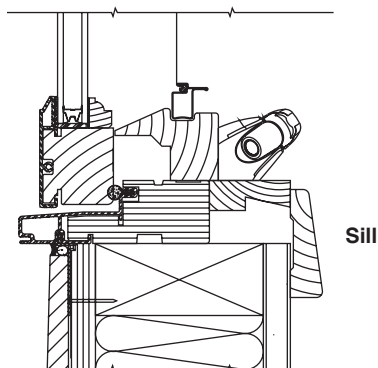
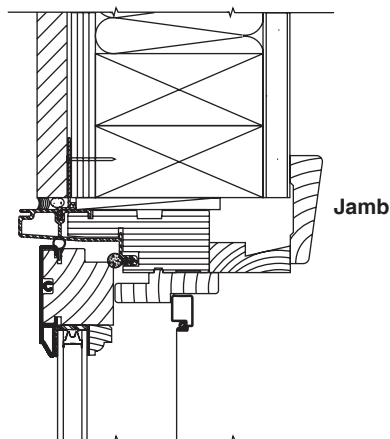
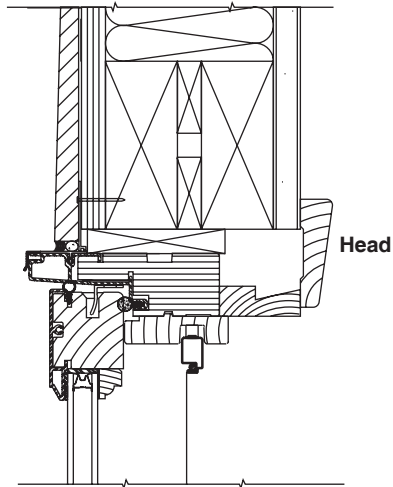
Clad Eagle Axiom™ Awnings

Installation Details

Scale: 3" = 1' 0"

2 X 4 Frame Construction

1/2" Sheathing, 1/2" Drywall, 4 9/16" Wall



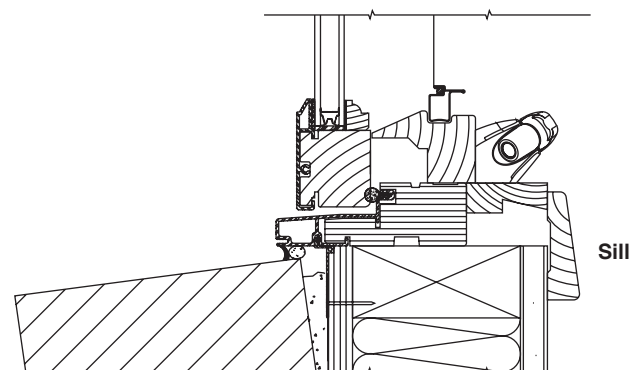
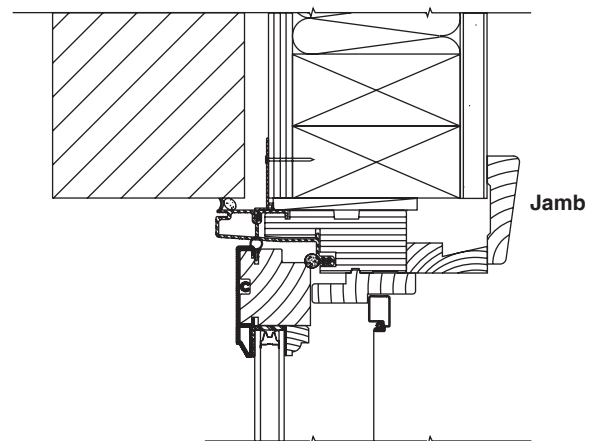
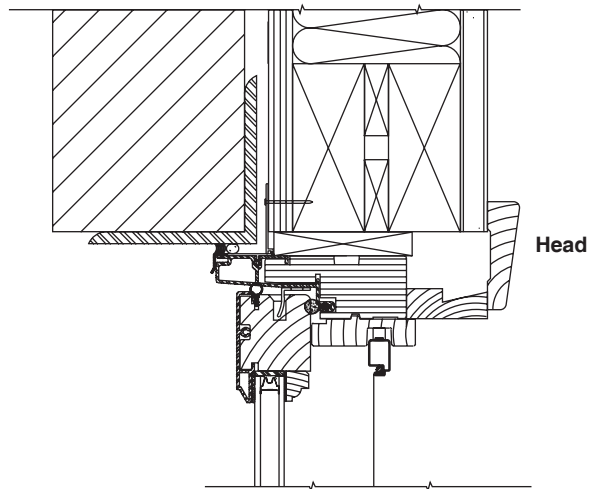
Clad Eagle Axiom™ Awnings

Installation Details

Scale: 3" = 1' 0"

Brick Veneer / 2 X 4 Frame Construction

1/2" Sheathing, 1/2" Drywall, 4 9/16" Wall



Clad Eagle Axiom™ Awnings

Installation Details

Scale: 3" = 1' 0"

8" Precast Concrete

