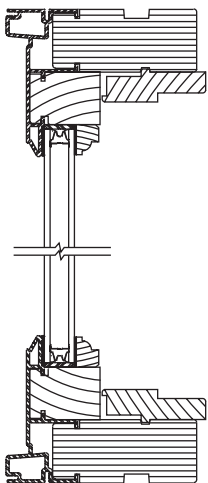


Clad Eagle Axiom™ Casements

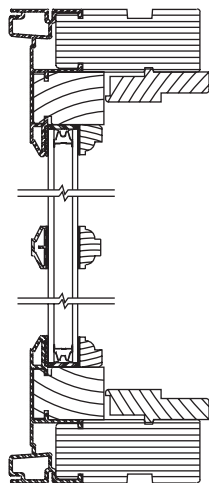
1 Piece Fixed Casement Glazing Options and Accessories

Scale: 3" = 1' 0"

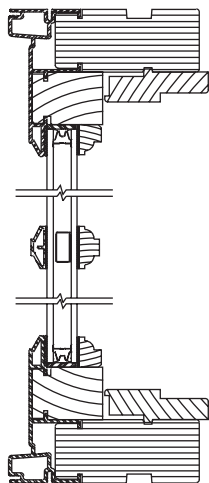
Glazing Options



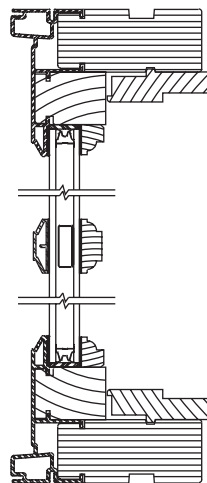
Insulating Glass



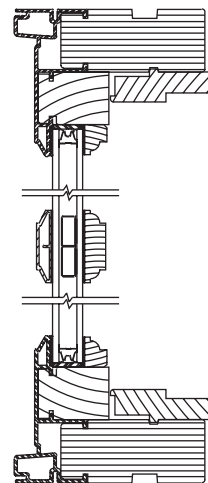
7/8" Classic Divided Lights



7/8" Modern Divided Lights Colonial

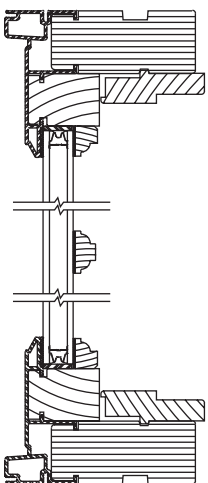


1 1/8" Modern Divided Lights Colonial

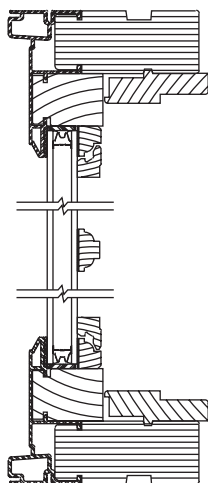


1 1/2" Modern Divided Lights Colonial

Removable Wood Grilles

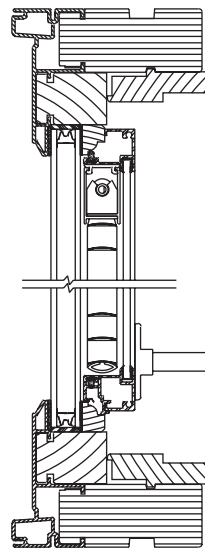


7/8" KD Grille



7/8" Full Surround Grille

Blind System

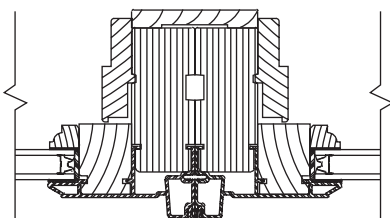


System 3 Blind and Storm

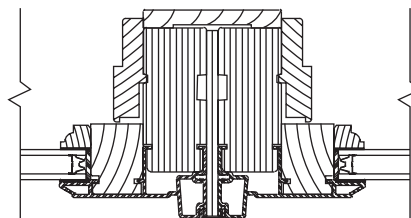
Clad Eagle Axiom™ Casements

1 Piece Fixed Casement Vertical Mullion Details

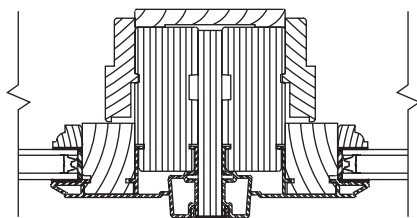
Scale: 3" = 1' 0"



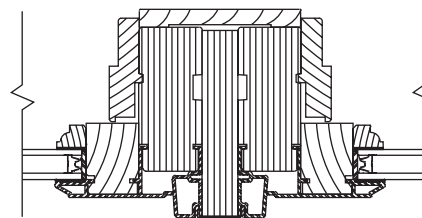
Standard Mullion



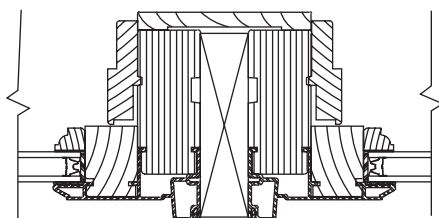
1/4" Mullion



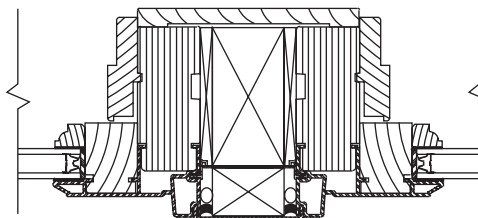
1/2" Mullion



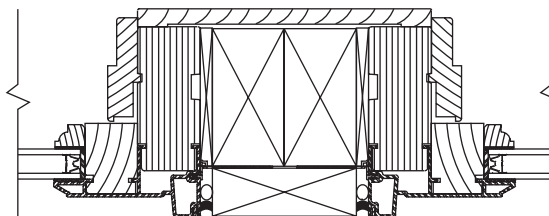
3/4" Mullion



1" Mullion



2" Mullion (Field Application)



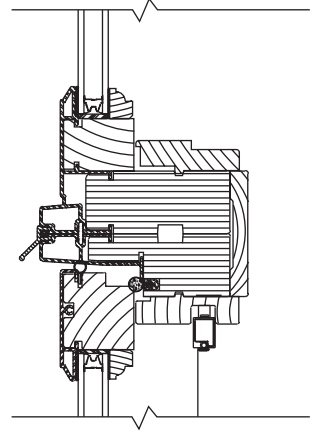
3 1/2" Mullion (Field Application)

Clad Eagle Axiom™ Casements

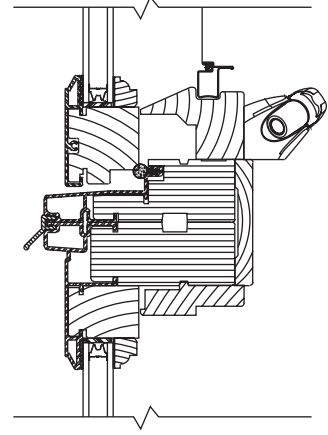
1 Piece Fixed Casement Combination Details

Scale: 3" = 1' 0"

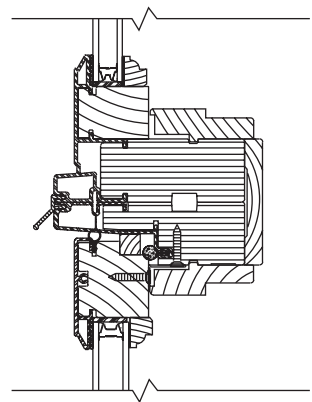
"1 Piece" Over Casement



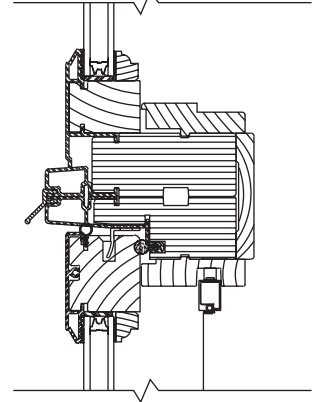
Awning Over "1 Piece"



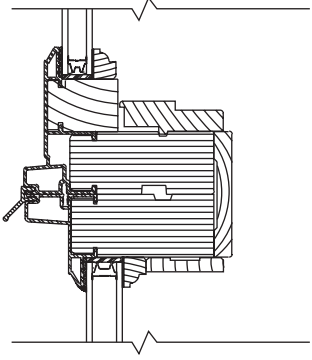
"1 Piece" Over Picture



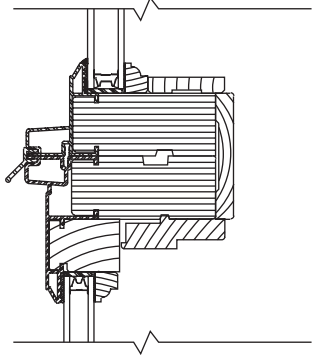
"1 Piece" Over Awning



"1 Piece" Over Auxiliary



Auxiliary Over "1 Piece"



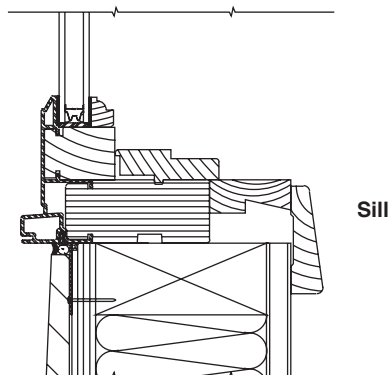
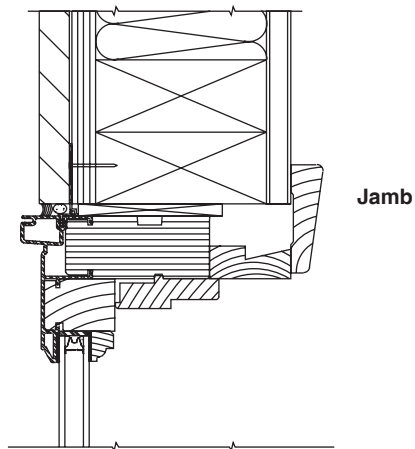
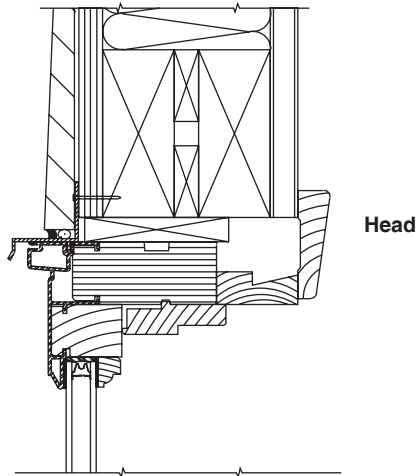
Clad Eagle Axiom™ Casements

1 Piece Fixed Casement Installation Details

Scale: 3" = 1' 0"

2 X 4 Frame Construction

1/2" Sheathing, 1/2" Drywall, 4 9/16" Wall



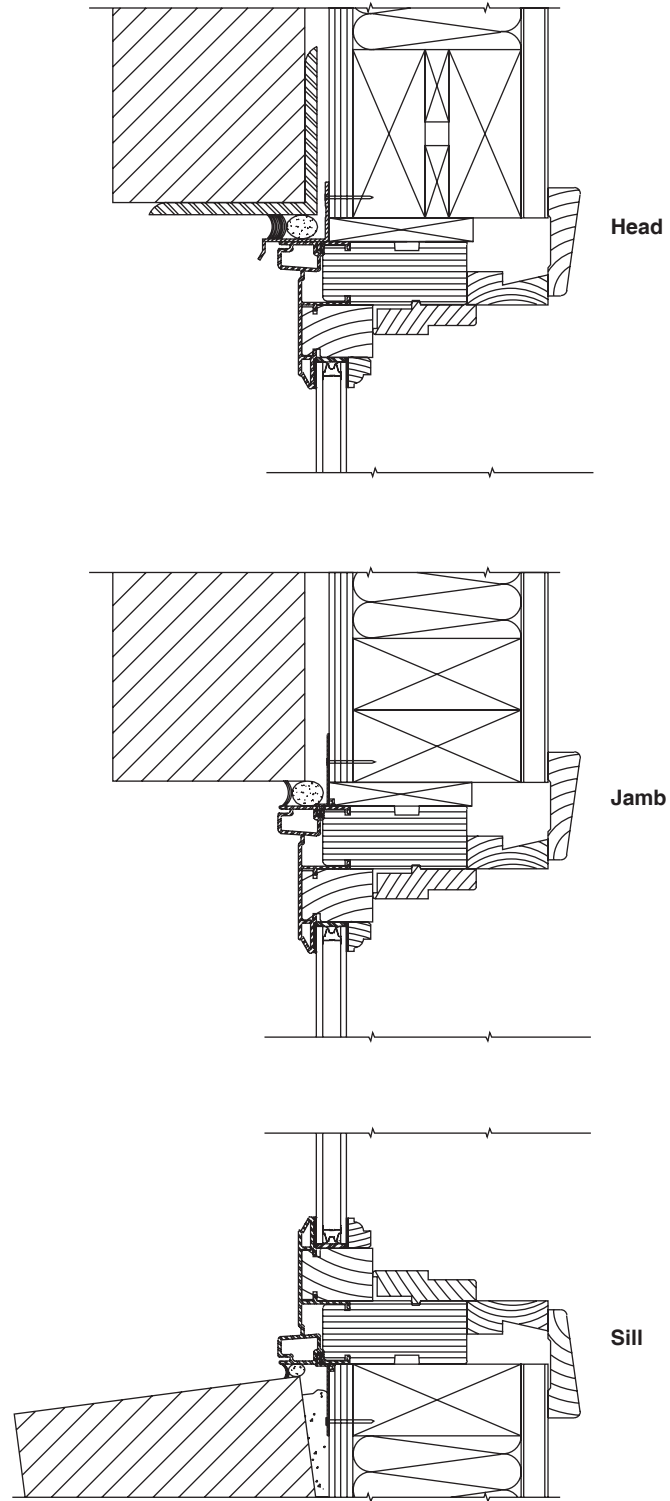
Clad Eagle Axiom™ Casements

1 Piece Fixed Casement Installation Details

Scale: 3" = 1' 0"

Brick Veneer / 2 X 4 Frame Construction

1/2" Sheathing, 1/2" Drywall, 4 9/16" Wall



Clad Eagle Axiom™ Casements

1 Piece Fixed Casement Installation Details

Scale: 3" = 1' 0"

8" Precast Concrete

