

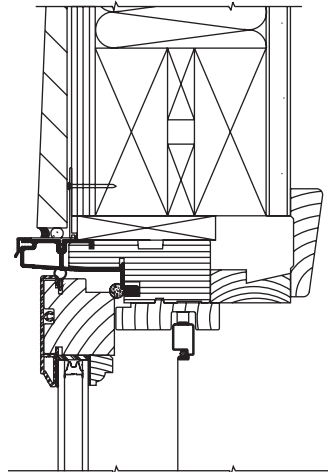
# Clad Eagle Axiom™ Casements

## Installation Details

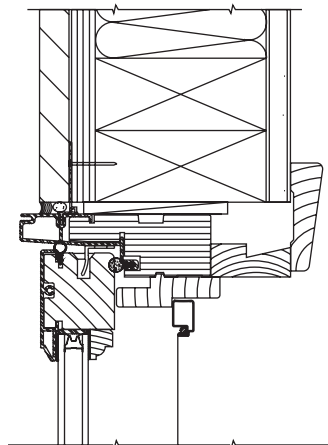
Scale: 3" = 1' 0"

### 2 X 4 Frame Construction

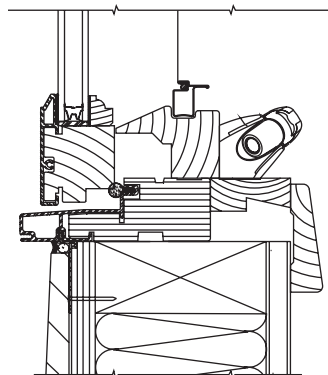
1/2" Sheathing, 1/2" Drywall, 4 9/16" Wall



Head



Jamb



Sill

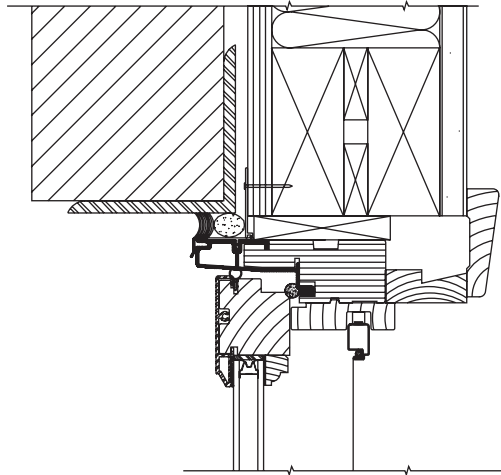
# Clad Eagle Axiom™ Casements

## Installation Details

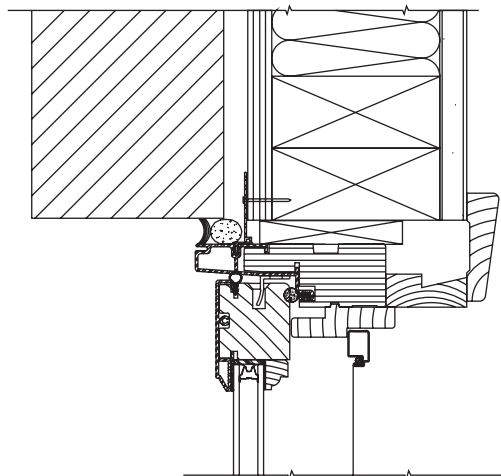
Scale: 3" = 1' 0"

Brick Veneer / 2 X 4 Frame Construction

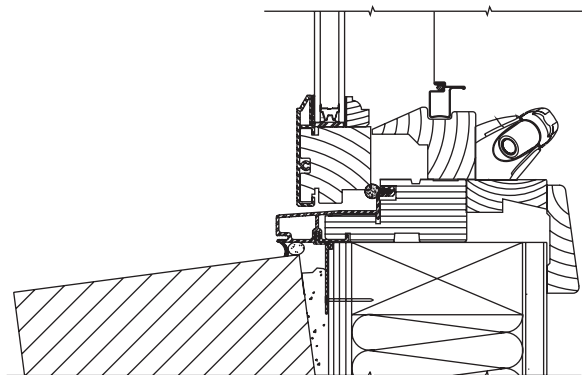
1/2" Sheathing, 1/2" Drywall, 4 9/16" Wall



Head



Jamb



Sill

**Installation Details**

Scale: 3" = 1' 0"

8" Precast Concrete

